



OWNER'S MANUAL
MANUEL DU PROPRIÉTAIRE
MANUAL DEL PROPIETARIO



WINE COOLER
Owner's Manual.....1 - 9

REFROIDISSEUR DE VIN
Manuel du propriétaire.....10 - 18

ENFRIADOR DE VINO
Manual del propietario.....19 - 27

MODEL • MODÈLE • MODELO
DBC057A1BSS

Danby Products Limited, Guelph, Ontario, Canada N1H 6Z9
Danby Products Inc. Findlay, Ohio, U.S.A. 45840

www.Danby.com

*Trademark of Danby Products
* Marque de commerce de Danby Products
* Marca comerciales de Danby Products

Welcome to the Danby family.

We are proud of our quality products and we believe in dependable service. We suggest that you read this owner's manual before plugging in your new appliance as it contains important operation information, safety information, troubleshooting, and maintenance tips to ensure the reliability and longevity of your appliance.

You are entitled to the warranty coverage as described in the owner's manual provided with your new appliance.

1. Please write down your appliance information below. **You must keep the original proof of purchase receipt to validate and receive warranty services.**
2. Register your product online and receive a **FREE 2 MONTH WARRANTY EXTENSION** after filling out a product survey, at www.danby.com/support/product-registration/

Model Number: _____

Serial Number: _____

Date of Purchase: _____

Need Help?

1. Read your Owner's Manual for installation help, troubleshooting, and maintenance assistance.
2. Visit www.Danby.com to access self-service tools, FAQs and much more by searching your model number in the search bar.
3. For the **Quickest Customer Service**, please fill out the web form at www.danby.com/support. Your submission will go directly to an expert on your particular appliance. Our average response times are between 20 minutes and 2 hours, during EST business hours.
4. Call **1-800-263-2629** - please note that during peak hours, hold times can exceed one hour.



Important Safety Information

READ AND FOLLOW ALL SAFETY INSTRUCTIONS

SAFETY REQUIREMENTS

DANGER: Risk of fire or explosion. Flammable refrigerant used. Do not puncture refrigerant tubing.

- Ensure that servicing is done by factory authorized service personnel, to minimize product damage or safety issues.
- Consult repair manual or owner's guide before attempting to service this product. All safety precautions must be followed.
- Dispose of properly in accordance with federal or local regulations.
- Follow handling instructions carefully.
- Do not store explosive substances such as aerosol cans with a flammable propellant in this appliance.

WARNING:

- Keep ventilation openings, in the appliance enclosure or in the built-in structure, clear of obstruction.
- Do not use mechanical devices or other means to accelerate the defrosting process, other than those recommended by the manufacturer.
- Do not damage the refrigerant circuit.
- Do not use electrical appliances inside the food storage compartments of the appliance, unless they are of the type recommended by the manufacturer.

CAUTION: Children should be supervised to ensure that they do not play with the appliance.

DANGER: Risk of child entrapment. Before throwing away an old appliance:

- Remove the door or lid.
- Leave shelves in place so that children may not easily climb inside.

This appliance is not intended for use by persons (including children) whose physical, sensory or mental capabilities may be different or reduced, or who lack experience or knowledge, unless such persons receive supervision or training to operate the appliance by a person responsible for their safety.

This appliance is intended to be used in household and similar applications such as:

- Staff kitchen areas in shops, offices and other working environments;
- Farm houses and by clients in hotels, motels and other residential type environments;
- Bed and breakfast type environments;
- Catering and similar non-retail applications.

GROUNDING INSTRUCTIONS

This appliance must be grounded. Grounding reduces the risk of electrical shock by providing an escape wire for the electrical current.

This appliance has a cord that has a grounding wire with a 3-prong plug. The power cord must be plugged into an outlet that is properly grounded. If the outlet is a 2-prong wall outlet, it must be replaced with a properly grounded 3-prong wall outlet. The serial rating plate indicates the voltage and frequency the appliance is designed for.

WARNING - Improper use of the grounding plug can result in a risk of electric shock. Consult a qualified electrician or service agent if the grounding instructions are not completely understood, or if doubt exists as to whether the appliance is properly grounded.

Do not connect your appliance to extension cords or together with another appliance in the same wall outlet. Do not splice the power cord. Do not under any circumstances cut or remove the third ground prong from the power cord. Do not use extension cords or ungrounded (two prongs) adapters.

If the power supply cord is damaged, it must be replaced by the manufacturer, its service agent or similar qualified person in order to avoid hazard.

SAVE THESE INSTRUCTIONS!

INSTALLATION INSTRUCTIONS

LOCATION

- Two people should be used when moving the appliance.
- Remove interior and exterior packaging prior to installation. Wipe the outside of the appliance with a soft, dry cloth and the inside with a lukewarm wet cloth.
- Place the appliance on a floor that is strong enough to support it when it is fully loaded.
- Do not place the appliance in direct sunlight or near sources of heat, such as a stove or heater, as this can increase electrical consumption. Extreme cold ambient temperatures may also cause the appliance to perform improperly.
- Do not use the appliance near water, for example in a wet basement or near a sink.
- This appliance is intended for household use only. It is not designed for outside installation, including anywhere that is not temperature controlled such as garages, porches, vehicles, etc.
- Before connecting the appliance to a power source, let it stand upright for approximately 6 hours. This will reduce the possibility of a malfunction in the cooling system.
- This appliance is 23.8 inches (60.5 cm) wide, 34.9 inches (88.7 cm) high at maximum leg height and 25.4 inches (64.5 cm) deep including the handle.

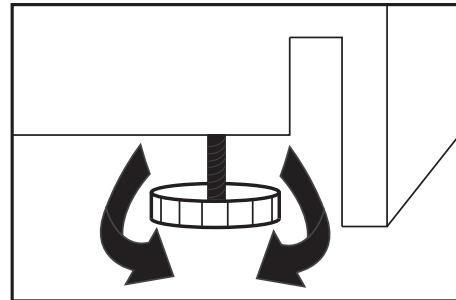
FRONT VENT

This appliance is front breathing. Do not block the front air vent as this will result in high operating temperatures, higher energy usage and possible system overheating and failure.

LEVELING INSTRUCTIONS

There is an adjustable leg on the bottom of the appliance that can be turned up or down to ensure that the appliance is level. It is important that the appliance is level to minimize noise and vibration. To level the appliance:

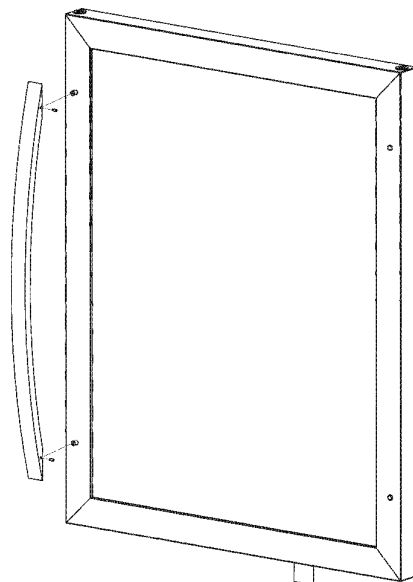
1. Turn the leveling leg counter-clockwise as far as it will go, until the top of the foot is touching the bottom of the cabinet.
2. Slowly turn the leveling leg clockwise until the appliance is level.



HANDLE INSTALLATION

The appliance ships with the handle inside the cabinet to protect it from damage. It must be installed by the end user.

1. Position the handle onto the column on the door.
2. Tighten the screws in the side of the handle until they are snug.



INSTALLATION INSTRUCTIONS

PREPARING THE ENCLOSURE

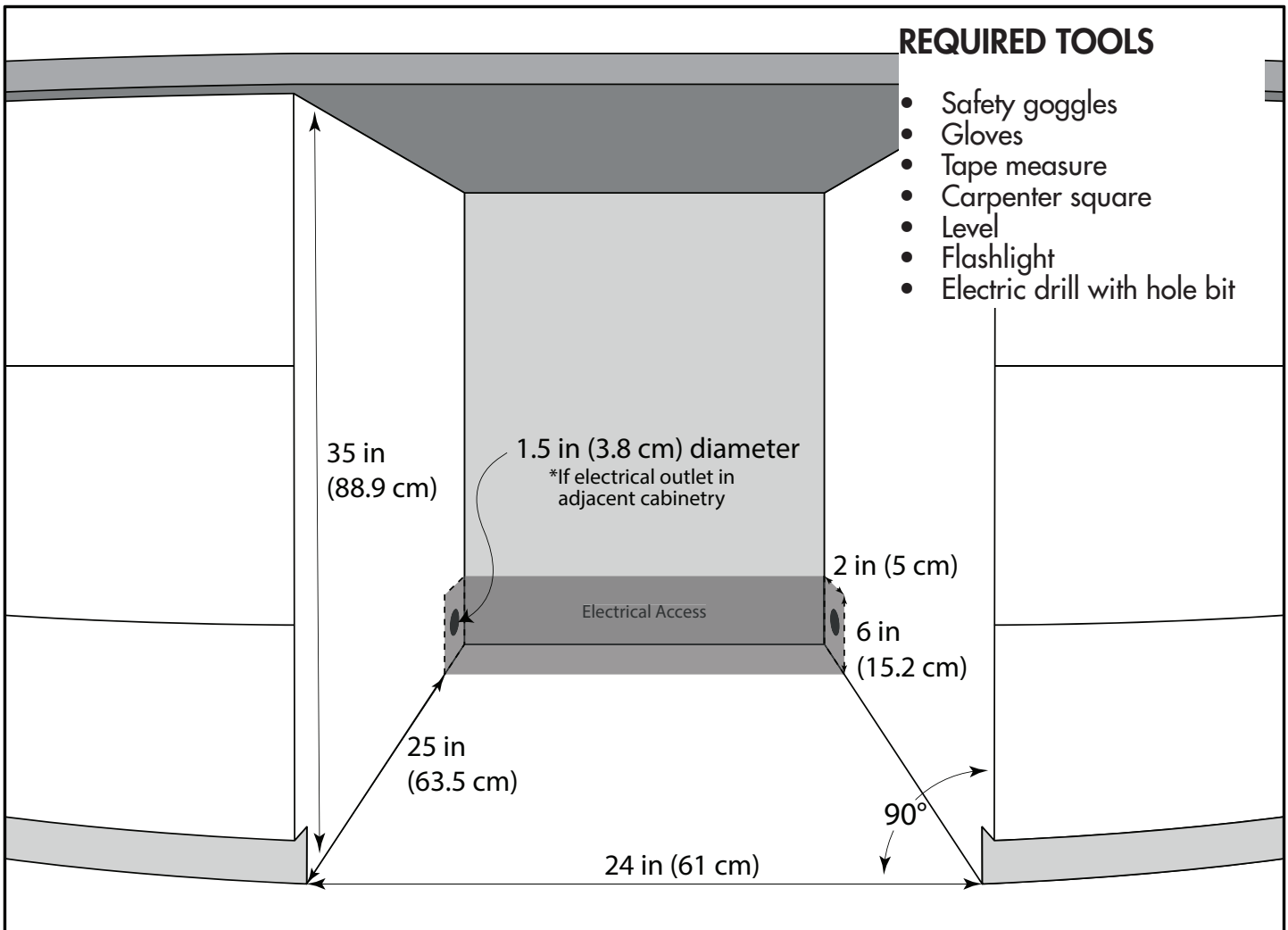
Gloves and safety goggles should be worn during installation.

It is not recommended to install the appliance into a corner or directly beside a wall. The door will need to be opened more than 90° to allow full extension of the shelves. If it is necessary to place next to a wall or in a corner, leave at least 2-4 inches (5-10 cm) of space between the wall and the appliance to allow for the door opening.

The cabinet opening must be at least 24 inches (61 cm) wide by 35 inches (88.9 cm) high by 25 inches (63.5 cm) deep.

Note: The listed depth requirement is assuming that the electrical outlet is located in the adjacent cabinetry or flush mounted in the rear wall, not surface mounted inside the enclosure.

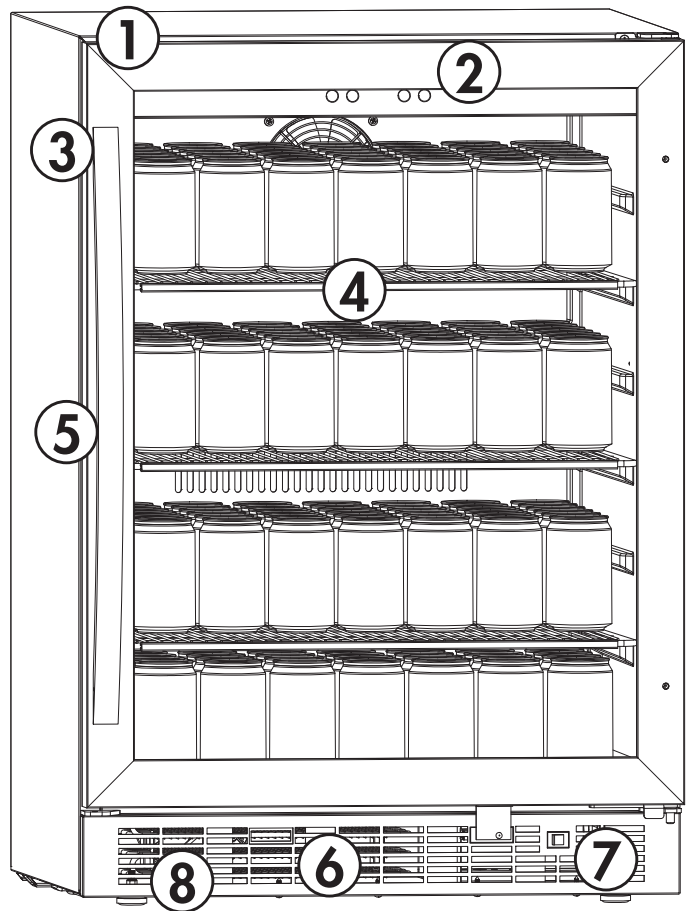
If the electrical outlet is located inside adjacent cabinetry, cut a 1.5 inch (3.8 cm) diameter hole to admit the power cord. If the cabinet wall is metal, the hole edge must be covered with a bushing or grommet.



OPERATING INSTRUCTIONS

FEATURES

1. **Low-E Glass Door:** Low-E glass used to reflect and absorb heat.
2. **Electronic Display and Controls:** For viewing and regulating the temperature.
3. **Magnetic Door Gaskets:** Tight fitting seals retain all the cooling power and humidity levels.
4. **Wire Shelves**
5. **Handle**
6. **Front Mounted Exhaust:** Allows for integrated (built-in) applications.
7. **Light Switch:** Allows for constant illumination of the interior of the appliance.
8. **Leveling Legs:** Adjust to level the appliance.
9. **Interior Light** (not shown): Blue LED lighting illuminates the interior without the heat of an incandescent bulb.



CONTROL PANEL

1. **Lock Button:** The control panel will automatically lock after 3 minutes of inactivity. No buttons can be pressed while the control panel is locked. Press and hold the lock button for 3 seconds to unlock the control panel.
2. **°C / °F: Button:** Press to change the temperature display between °C and °F.
3. **Temperature Display:** Shows the set temperature. If a button is pressed while the control panel is locked, it will show "Lc".
4. **Up and Down Buttons:** Used to increase or decrease the set temperature in 1° increments.



OPERATING INSTRUCTIONS

FUNCTION INSTRUCTION

The default temperature setting is 54°F (12°C).

The default temperature scale is °C.

Press the °C/°F button to change the temperature scale.

The temperature can be set as low as 38°F (3°C) or as high as 64°F (18°C)

Actual temperature inside the appliance can vary based on ambient temperature, how often the door is opened and how many warm beverages have recently been added to the appliance.

INTERIOR LIGHT

The interior light will default to turning on and off when the door is opened or closed.

The light switch can be used to set the light to constant illumination when the door is both open and closed.

If the door is open for more than 10 minutes, the interior light will automatically turn off.

STORAGE INSTRUCTIONS

The maximum capacity of this appliance is 154 (355 ml) cans.

DEFROST

This appliance is equipped with an automatic defrost function and does not require manual defrosting. Defrost water from the appliance is channeled into a drip tray located above the compressor. Heat transfer from the compressor causes the defrost water to evaporate.

POWER FAILURE

Most power failures are corrected within a few hours and should not affect the temperature of your appliance if you minimize the number of times the door is opened. If the power is going to be off for a longer period of time, take the proper steps to protect your contents.

Note: Wait 3 to 5 minutes before attempting to restart the appliance if operation has been interrupted.

MOVING

- Make sure the appliance is empty.
- Secure the shelves with tape.
- Secure the door with tape.
- Turn the adjustable foot up to the base to avoid damage.
- Protect the outside of the appliance with a blanket or similar item.
- Be sure the appliance stays in the upright position during transportation.
- If the appliance is placed on its back or side during transportation, upon reaching the destination, allow it to remain upright for 6 hours before plugging in to avoid damage to internal components.

OPERATING INSTRUCTIONS

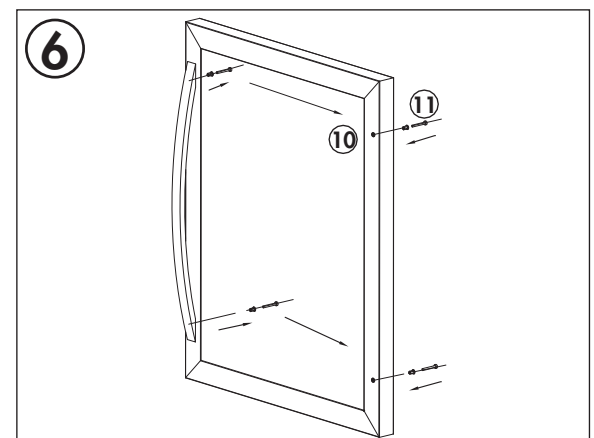
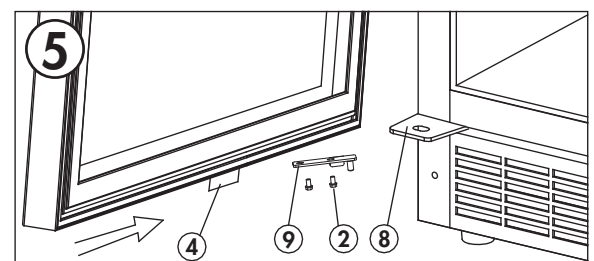
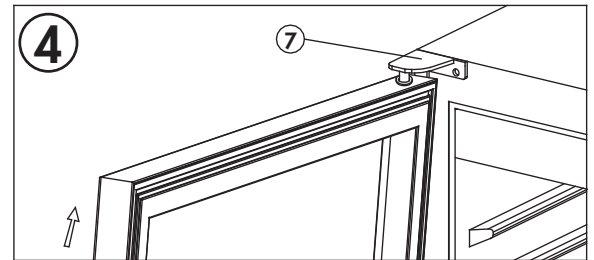
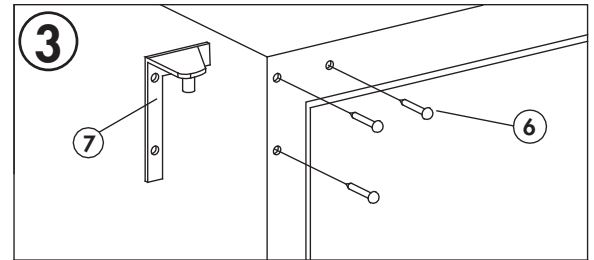
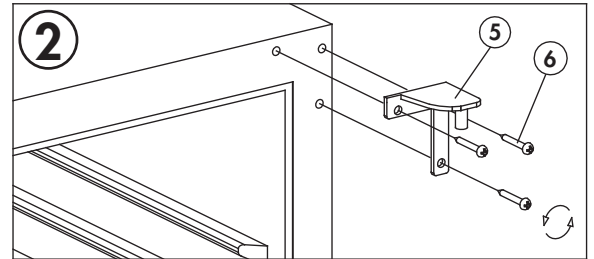
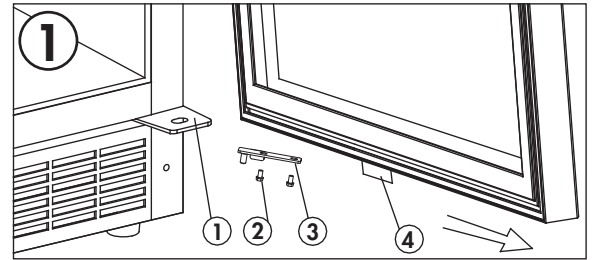
DOOR REVERSAL INSTRUCTIONS

If the appliance is placed on its back or side for any length of time it must be allowed to remain upright for 6 hours before plugging in to avoid damage to internal components.

1. Remove the two screws that secure the right hinge axis to the lower right hinge. Slide the door outward from the bottom to remove it from the upper right hinge.
2. Remove the upper right hinge from the cabinet.
3. Remove the screw hole covers from the upper left side of the cabinet and install the upper left hinge. Place the screw hole covers in the screw holes on the upper right side of the cabinet.
4. Remove the hinge hole cover from the upper left side of the door and place it in the hinge hole on the upper right side of the door. Install the door on the upper left hinge.
5. Slide the bottom of the door toward the unit to line it up with the lower left hinge. Install the left hinge axis to secure the door to the lower left hinge.
6. Loosen the screw on the side of the handle using the provided hexagon spanner. Remove the handle. Remove the door gasket, the bolt and the handle fixing column on the left side of the door. Install the bolt and the handle fixing column on the right side of the door. Install the door gasket. Install the handle on the right side of the door using the same screws.

Note: Before tightening the screws to secure the hinge axis, ensure that the top of the door is level with the top of the cabinet, that the actuator on the bottom of the door is making contact with the switch on the cabinet and that the rubber gasket is making a good seal with the cabinet all the way around.

1. Lower right hinge
2. Axis screws
3. Right hinge axis
4. Actuator
5. Upper right hinge
6. Hinge screws
7. Upper left hinge
8. Lower left hinge
9. Left hinge axis
10. Handle fixing column
11. Bolt



CARE & MAINTENANCE

CLEANING

Ensure the appliance is unplugged before cleaning.

- To clean the inside of the appliance, use a soft cloth and a solution of a tablespoon of baking soda to one quart of water or a mild soap solution or some mild detergent.
- Wash removable shelves in a mild detergent solution, then dry and wipe with a soft cloth.
- Clean the outside with a soft, damp cloth and some mild detergent.
- It is important to keep the area clean where the door seals against the cabinet. Clean this area with a soapy cloth. Rinse with a damp cloth and let dry.

Note: Do not use cleaners containing ammonia or alcohol on the appliance. Ammonia or alcohol can damage the appearance of the appliance. Never use any commercial or abrasive cleaners or sharp objects on any part of the appliance.

VACATION

- **Short vacations:** Leave the appliance operating during vacations of less than three weeks.
- **Long vacations:** If the appliance will not be used for several months, remove all items and turn off the appliance. Clean and dry the interior thoroughly. To prevent odor and mold growth, leave the door open slightly, blocking it open if necessary.

DISPOSAL

This appliance may not be treated as regular household waste, it should be taken to the appropriate waste collection point for recycling of electrical components. For information on local waste collection points, contact your local waste removal agency or government office.

TROUBLESHOOTING

FREQUENTLY ASKED QUESTIONS

No power

- A fuse may be blown or the circuit breaker tripped
- Plug not fully inserted into the wall outlet

Internal temperature not cold enough or the appliance is running continuously

- Door is not shut properly or opened excessively
- Exhaust vent is obstructed
- Recently added a large quantity of warm bottles to the cabinet
- Close proximity to heat source or direct sunlight
- Ambient temperature or humidity is very high
- Possible system leak, evaporator fan failure or compressor failure

Condensation on the cabinet or door

- Door is not shut properly or opened excessively
- Ambient temperature or humidity is very high

ERROR CODES

CO: control system communication fault

E1: interior sensor fault

E2: defrost sensor fault

dr: door is open for more than 1 minute

EH: internal temperature is 8 degrees higher than the set temperature for more than 30 minutes

EL: internal temperature is 8 degrees lower than the set temperature for more than 30 minutes

Lc: the control panel is locked

If error codes appear on the display for more than 5 minutes, a power reset may rectify the issue. Unplug the appliance, wait 5 minutes and then plug the appliance back in. If the error code persists after a power reset, contact consumer care or an authorized service agent.

In the case of the "Lc" error code, the control panel is locked. Press and hold the lock button for 3 seconds to unlock the control panel.

LIMITED "IN HOME" WARRANTY

This quality product is warranted to be free from manufacturer's defects in material and workmanship, provided that the unit is used under the normal operating conditions intended by the manufacturer.

This warranty is available only to the person to whom the unit was originally sold by Danby Products Limited (Canada) or Danby Products Inc. (U.S.A.) (hereafter "Danby") or by an authorized distributor of Danby, and is non-transferable.

TERMS OF WARRANTY

Plastic parts are warranted for thirty (30) days from the date of purchase, with no extensions provided.

First 12 months During the first **twelve (12) months**, any functional parts of this product found to be defective, will be repaired or replaced, at warrantor's option, at no charge to the original purchaser.

To obtain service Contact the dealer where the unit was purchased, or contact the nearest authorized Danby service depot, where service must be performed by a qualified service technician. If service is performed on the unit by anyone other than an authorized service depot, all obligations of Danby under this warranty shall be void.

Boundaries of in-home service Danby reserves the right to limit the boundaries of "In Home Service" to the proximity of an authorized service depot. Any appliance requiring service outside the limited boundaries of "In Home Service", will be the consumer's responsibility to transport at their own expense to the original point of purchase or a service depot for repair. If the appliance is installed in a location that is **100 kilometers (62 miles)** or more from the nearest service center, it must be delivered to the nearest authorized Danby Service Depot by the purchaser.

Transportation charges to and from the service location are not protected by this warranty and are the responsibility of the purchaser.

Nothing within this warranty shall imply that Danby will be responsible or liable for any spoilage or damage to food or other contents of this appliance, whether due to any defect of the appliance, or its use, whether proper or improper.

EXCLUSIONS

Save as herein provided, by Danby, there are no other warranties, conditions, representations or guarantees, express or implied, made or intended by Danby or its authorized distributors and all other warranties, conditions, representations or guarantees, including any warranties, conditions, representations or guarantees under any Sale of Goods Act or like legislation or statute is hereby expressly excluded. Save as herein provided, **Danby shall not be responsible for any damages to persons or property, including the unit itself, howsoever caused or any consequential damages arising from the malfunction of the unit and by the purchase of the unit, the purchaser does hereby agree to indemnify and hold harmless Danby from any claim for damages to persons or property caused by the unit.**

GENERAL PROVISIONS

No warranty or insurance herein contained or set out shall apply when damage or repair is caused by any of the following:

- 1) Power failure.
- 2) Damage in transit or when moving the appliance.
- 3) Improper power supply such as low voltage, defective house wiring or inadequate fuses.
- 4) Accident, alteration, abuse or misuse of the appliance such as inadequate air circulation in the room or abnormal operating conditions (ie. extremely high or low room temperature).
- 5) Use for commercial or industrial purposes (ie. If the appliance is not installed in a domestic residence).
- 6) Fire, water damage, theft, war, riot, hostility, acts of God such as hurricanes, floods etc.
- 7) Service calls resulting in customer education.
- 8) Improper Installation (ie. Building-in of a free standing appliance or using an appliance outdoors that is not approved for outdoor application, including but not limited to: garages, patios, porches or anywhere that is not properly insulated or climate controlled).

Proof of purchase date will be required for warranty claims; retain bills of sale. In the event that warranty service is required, present the proof of purchase to our authorized service depot.

**Warranty Service
In Home**

Danby Products Limited
PO Box 1778, Guelph, Ontario, Canada N1H 6Z9
Telephone: (519) 837-0920 FAX: (519) 837-0449

**1-800-263-2629
04/17**

Danby Products Inc.
PO Box 669, Findlay, Ohio, U.S.A. 45840
Telephone: (419) 425-8627 FAX: (419) 425-8629

Bienvenue dans la famille Danby.

Nous sommes fiers de nos produits de qualité et nous croyons en un service fiable. Nous vous suggérons de lire ce manuel du propriétaire avant de brancher votre nouvel appareil car il contient des informations de fonctionnement importantes, des informations de sécurité, des conseils de dépannage et d'entretien pour assurer la fiabilité et la longévité de votre appareil.

Vous avez droit à la couverture de la garantie décrite dans le manuel du propriétaire fourni avec votre nouvel appareil.

1. Veuillez noter ci-dessous les informations relatives à votre appareil. Vous devez conserver la preuve d'achat originale pour valider et bénéficier des services de garantie.
2. Enregistrez votre produit en ligne et recevez une **PROLONGATION DE GARANTIE GRATUITE DE 2 MOIS** après avoir rempli une enquête sur les produits, à l'adresse www.danby.com/support/product-registration/

Numéro de modèle : _____

Numéro de série : _____

Date d'achat : _____

Besoin d'assistance?

1. Lisez votre manuel du propriétaire pour obtenir de l'aide à l'installation, au dépannage et à la maintenance.
2. Visitez www.Danby.com pour accéder aux outils en libre-service, aux FAQ et bien plus encore en recherchant votre numéro de modèle dans la barre de recherche.
3. Pour bénéficier du **service client le plus rapide**, veuillez remplir le formulaire Web à l'adresse www.danby.com/support. Votre soumission ira directement à un expert de votre appareil particulier. Nos temps de réponse moyens sont compris entre 20 minutes et 2 heures, pendant les heures ouvrables EST.
4. Composez le **1-800-263-2629** - veuillez noter que pendant les heures de pointe, les temps d'attente peuvent dépasser une heure.



Consignes de sécurité importantes

LIRE ET SUIVRE TOUTES LES INSTRUCTIONS DE SÉCURITÉ

EXIGENCES DE SÉCURITÉ

DANGER : Risque d'incendie ou d'explosion.
Liquide frigorigène inflammable utilisé. Ne pas percer les tubes de réfrigérant.

- Assurez-vous que l'entretien est effectué par le personnel de service autorisé en usine, afin de minimiser les dommages sur les produits ou les questions de sécurité.
- Consultez le manuel de réparation ou le guide du propriétaire avant d'essayer de réparer ce produit. Toutes les précautions de sécurité doivent être respectées.
- Éliminer conformément aux règlements fédéraux ou locaux.
- Suivez attentivement les instructions de manutention.
- Ne pas stocker des substances explosives comme les bombes aérosol avec un propulseur inflammable dans cet appareil.

AVERTISSEMENT :

- Garder les ouvertures de ventilation, dans l'enceinte de l'appareil ou dans la structure intégrée, sans obstruction.
- N'utilisez pas de dispositifs mécaniques ou d'autres moyens pour accélérer le processus de dégivrage, autres que ceux recommandés par le fabricant.
- Ne pas endommager le circuit de réfrigérant.
- N'utilisez pas d'appareils électriques à l'intérieur des compartiments de stockage d'aliments de l'appareil, à moins qu'ils ne soient du type recommandé par le fabricant.

ATTENTION : Les enfants devraient être surveillés pour s'assurer qu'ils ne jouent pas avec l'appareil.

DANGER : Risque de piégeage des enfants. Avant de jeter un ancien appareil :

- Retirez la porte ou le couvercle.
- Laissez les étagères en place afin que les enfants ne puissent pas facilement monter à l'intérieur.

Cet appareil n'est pas destiné à être utilisé par des personnes (y compris des enfants) dont les capacités physiques, sensorielles ou mentales peuvent être différentes ou réduites, ou qui n'ont pas d'expérience ou de connaissances, à moins que ces personnes ne reçoivent de supervision ou de formation pour faire fonctionner l'appareil par une personne responsable de leur sécurité.

Cet appareil est destiné à être utilisé dans des applications domestiques et similaires telles que:

- Cuisines du personnel dans les magasins, les bureaux et autres environnements de travail;
- Les maisons de ferme et par les clients dans les hôtels, motels et autres environnements de type résidentiel;
- Chambres d'hôtes;
- Restauration et applications similaires non commerciales.

INSTRUCTIONS DE MISE À LA TERRE

Cet appareil doit être mis à la terre. La mise à la terre réduit le risque de choc électrique en fournissant un fil d'échappement pour le courant électrique.

Cet appareil possède un cordon doté d'un fil de mise à la terre avec une fiche à 3 broches. Le cordon d'alimentation doit être branché sur une prise correctement mise à la terre. Si la sortie est une prise murale à 2 broches, elle doit être remplacée par une prise murale à 3 broches correctement mise à la terre. La plaque signalétique en série indique la tension et la fréquence auxquelles l'appareil est conçu.

AVERTISSEMENT - Une utilisation incorrecte de la fiche de mise à la terre peut entraîner un risque d'électrocution. Consultez un électricien qualifié ou un agent de service si les instructions de mise à la terre ne sont pas complètement comprises ou s'il existe un doute quant à savoir si l'appareil est correctement mis à la terre.

Ne branchez pas votre appareil à des rallonges ou avec un autre appareil dans la même prise murale. Ne pas épisser le cordon d'alimentation. Ne coupez ou retirez en aucun cas la troisième broche du cordon d'alimentation. N'utilisez pas de cordons de prolongement ou d'adaptateurs sans mise à la terre (deux broches).

Si le cordon d'alimentation est endommagé, il doit être remplacé par le fabricant, son agent de service ou une personne qualifiée similaire afin d'éviter tout risque.

GARDEZ CES INSTRUCTIONS!

INSTRUCTIONS D'INSTALLATION

EMPLACEMENT

- Deux personnes doivent être utilisées pour déplacer l'appareil.
- Retirez l'emballage intérieur et extérieur avant l'installation. Essuyez l'extérieur de l'appareil avec un chiffon doux et sec et l'intérieur avec un chiffon humide tiède.
- Placez l'appareil sur un sol suffisamment solide pour le supporter lorsqu'il est complètement chargé.
- Ne placez pas l'appareil à la lumière directe du soleil ou à proximité de sources de chaleur, telles qu'une cuisinière ou un radiateur, car cela peut augmenter la consommation électrique. Des températures ambiantes extrêmement froides peuvent également entraîner un mauvais fonctionnement de l'appareil.
- N'utilisez pas l'appareil près de l'eau, par exemple dans un sous-sol humide ou près d'un évier.
- Cet appareil est destiné à un usage domestique uniquement. Il n'est pas conçu pour une installation à l'extérieur, y compris partout où la température n'est pas contrôlée, comme les garages, les porches, les véhicules, etc.
- Avant de brancher l'appareil à une source d'alimentation, laissez-le debout pendant environ 6 heures. Cela réduira la possibilité d'un dysfonctionnement du système de refroidissement dû à la manipulation pendant le transport.
- Cet appareil mesure 23,8 pouces (60,5 cm) de largeur, 34,9 pouces (88,7 cm) de hauteur à la hauteur maximale des pieds et 25,4 pouces (64,5 cm) de profondeur, y compris la poignée.

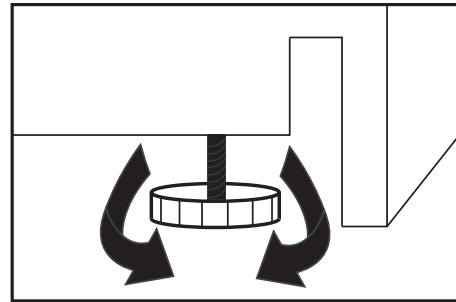
ÉVACUATION AVANT

Cet appareil est une respiration avant. Ne bloquez pas l'évent avant car cela entraînera des températures de fonctionnement élevées, une consommation d'énergie plus élevée et une éventuelle surchauffe et une panne du système.

INSTRUCTIONS DE NIVEAU

Il y a une patte réglable au bas de l'appareil qui peut être montée ou baissée pour s'assurer que l'appareil est au niveau. Il est important que l'appareil soit à niveau pour minimiser les bruits et les vibrations. Pour niveler l'appareil:

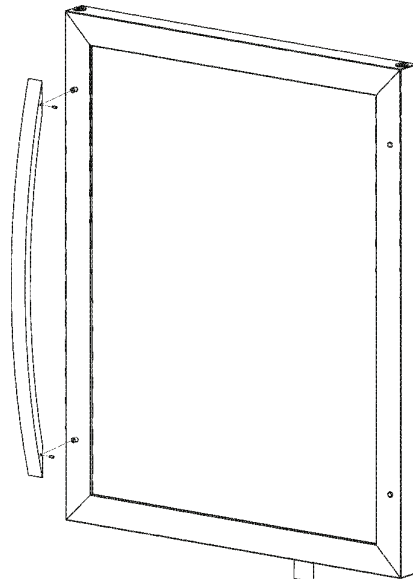
1. Tournez la jambe de nivellement dans le sens des aiguilles d'une montre aussi loin que possible, jusqu'à ce que le haut du pied touche le bas du châssis.
2. Tourner lentement la jambe de nivellement dans le sens inverse des aiguilles d'une montre jusqu'à ce que l'appareil soit au niveau.



INSTALLATION DE LA POIGNÉE

L'appareil est expédié avec la poignée à l'intérieur de l'armoire pour la protéger des dommages. Il doit être installé par l'utilisateur final.

1. Positionnez la poignée sur la colonne de la porte.
2. Serrez les vis sur le côté de la poignée jusqu'à ce qu'elles soient bien ajustées.



INSTRUCTIONS D'INSTALLATION

PRÉPARER L'ENCEINTE

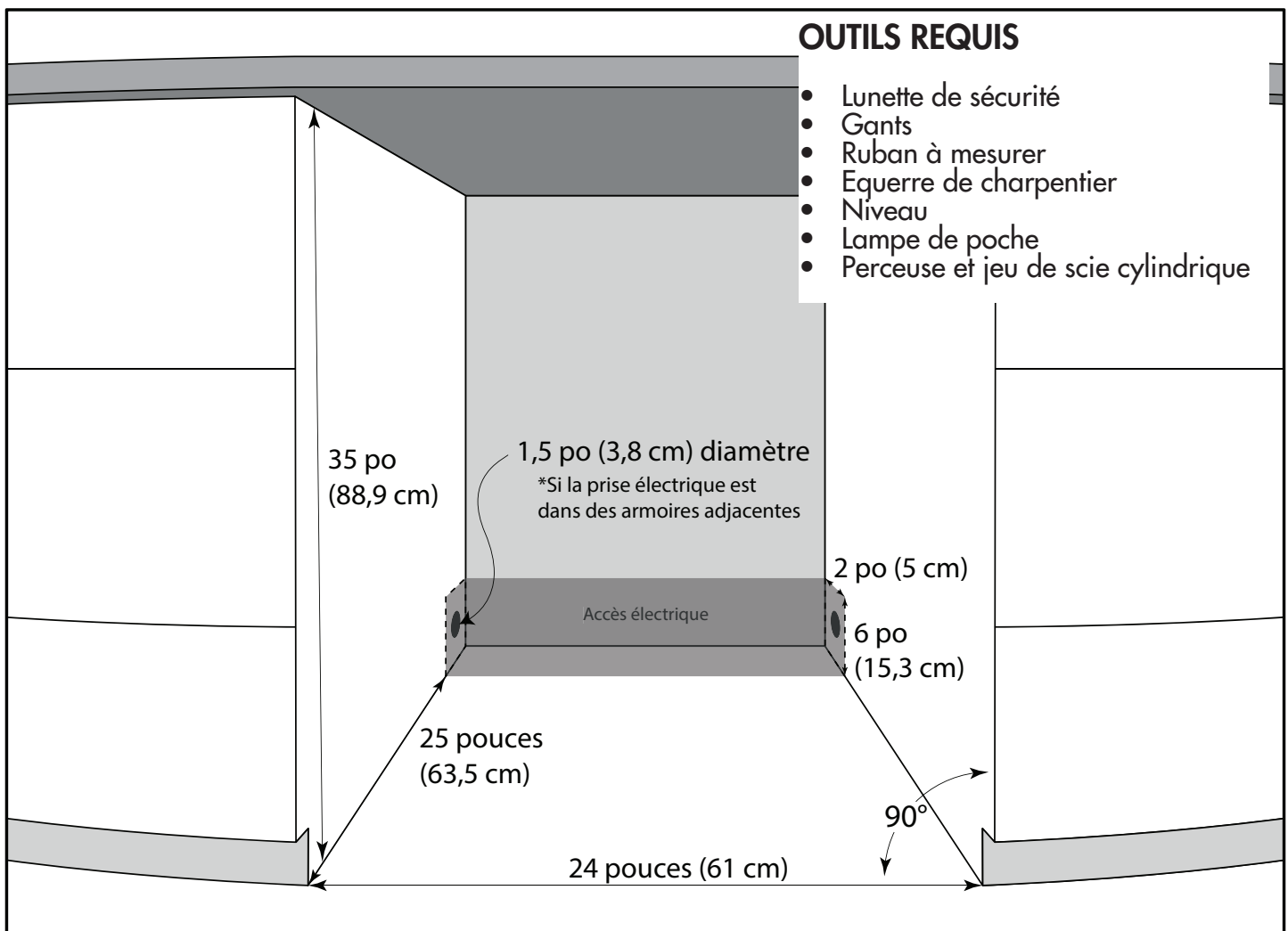
En faire les installations décrites dans cette section, des gants, les lunettes de sécurité devraient être portés.

Il n'est pas recommandé d'installer l'appareil dans un coin ou directement à côté d'un mur. La porte devra être ouverte plus de 90° pour permettre une extension complète des étagères. S'il est nécessaire de placer l'unité à côté d'un mur ou dans un coin, laisser au moins 2-4 pouces (5-10 cm) d'espace entre le mur et l'appareil pour permettre l'ouverture de la porte.

L'ouverture de l'armoire doit avoir au moins 24 pouces (61 cm) de large par 35 pouces (88,9 cm) de hauteur par 25 pouces (63,5 cm) de profondeur.

Remarque: L'exigence de profondeur suppose que la prise électrique est située dans les armoires adjacentes ou encastrées dans la paroi arrière, non montées en surface à l'intérieur de l'enceinte.

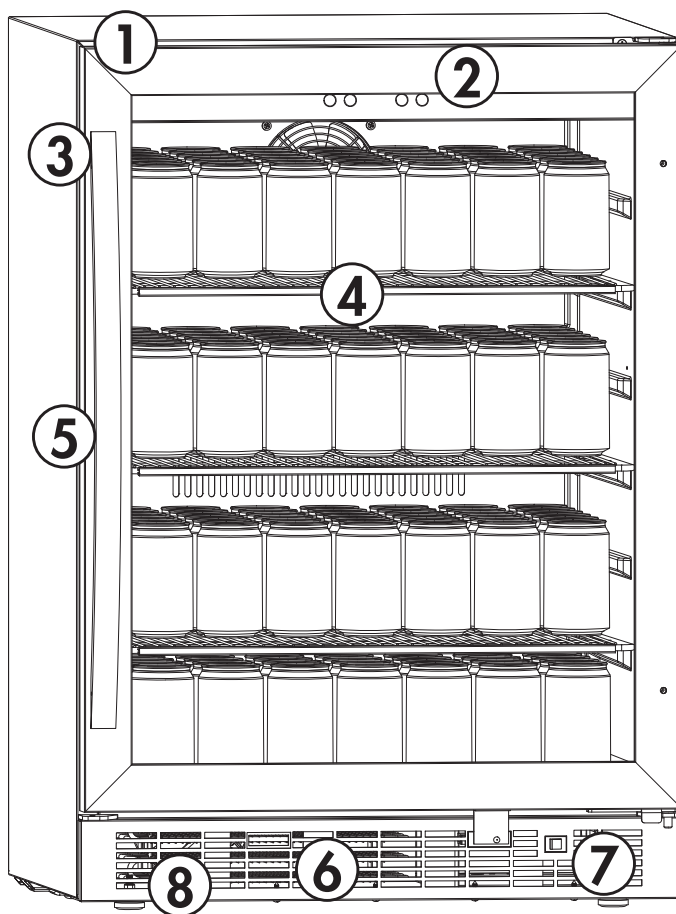
Si la prise électrique est située à l'intérieur des armoires adjacentes, couper un trou de 1,5 pouce (3,8 cm) de diamètre pour admirer le cordon d'alimentation. Si le mur de l'armoire est en métal, le bord du trou doit être recouvert d'une douille ou d'un passe-fil.



CONSIGNES D'UTILISATION

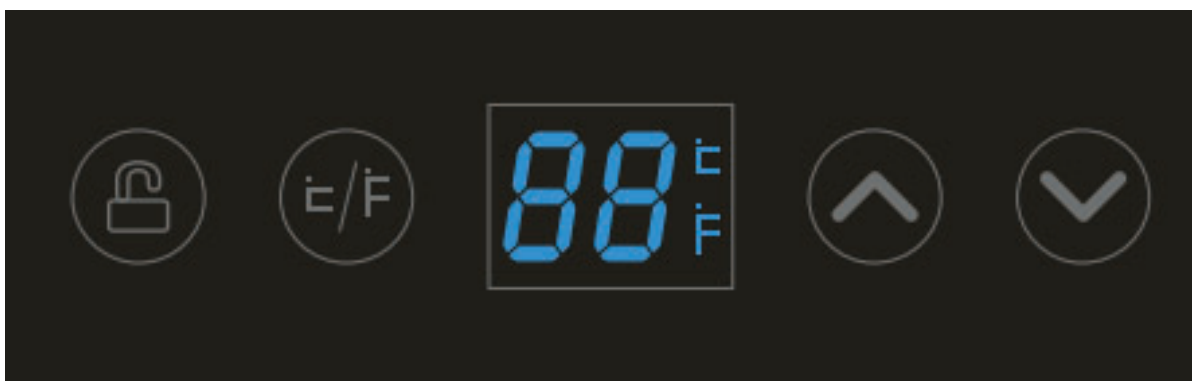
CARACTÉRISTIQUES

1. **Porte en verre Low-E:** verre Low-E utilisé pour réfléchir et absorber la chaleur.
2. **Affichage et commandes électroniques:** Pour visualiser et régler la température.
3. **Joints de porte magnétiques:** Les joints bien ajustés retiennent toute la puissance de refroidissement et le niveau d'humidité.
4. **Étagères métalliques**
5. **Manipuler**
6. **Échappement avant:** Permet les applications intégrées (intégrées).
7. **Interrupteur d'éclairage:** Permet un éclairage constant de l'intérieur de l'appareil.
8. **Pieds de nivellement:** Ajustez l'appareil pour le niveler.
9. **Éclairage intérieur (non illustré):** L'éclairage à LED bleue illumine l'intérieur sans la chaleur d'une ampoule à incandescence.



PANNEAU DE CONTRÔLE

1. **Bouton de verrouillage:** Le panneau de commande se verrouille automatiquement après 3 minutes d'inactivité. Aucun bouton ne peut être actionné lorsque le panneau de commande est verrouillé. Appuyez sur le bouton de verrouillage et maintenez-le enfoncé pendant 3 secondes pour déverrouiller le panneau de commande.
2. **Touche °C / °F:** Appuyez pour changer l'affichage de la température entre °C et °F.
3. **Affichage de la température:** Affiche la température réglée. Si un bouton est enfoncé alors que le panneau de commande est verrouillé, il affichera « Lc ».
4. **Boutons haut et bas:** Utilisé pour augmenter ou diminuer la température réglée par incréments de 1°.



CONSIGNES D'UTILISATION

INSTRUCTION DE FONCTION

Le réglage de température par défaut est de 54 °F (12 °C).

L'échelle de température par défaut est °C.

Appuyez sur le bouton °C/°F pour modifier l'échelle de température.

La température peut être réglée aussi bas que 38°F (3°C) ou aussi haut que 64°F (18°C)

La température réelle à l'intérieur de l'appareil peut varier en fonction de la température ambiante, de la fréquence d'ouverture de la porte et du nombre de biberons chauds récemment ajoutés à l'appareil.

LUMIÈRE INTÉRIEURE

La lumière intérieure s'allume et s'éteint par défaut lorsque la porte est ouverte ou fermée.

Le commutateur d'éclairage peut être utilisé pour régler l'éclairage sur un éclairage constant lorsque la porte est à la fois ouverte et fermée.

Si la porte est ouverte pendant plus de 10 minutes, l'éclairage intérieur s'éteindra automatiquement.

INSTRUCTIONS DE STOCKAGE

La capacité maximale de cet appareil est de 154 canettes (355 ml).

DÉGIVRER

Cet appareil est équipé d'une fonction de dégivrage automatique et ne nécessite pas de dégivrage manuel. Le dégivrage de l'eau de l'appareil est canalisé dans un tiroir situé au-dessus du compresseur. Le transfert de chaleur du compresseur provoque l'évaporation de l'eau de dégivrage.

PANNE DE COURANT

La plupart des pannes de courant ne durent que quelques heures et ne devraient pas modifier la température de votre l'appareil si vous réduisez au maximum le nombre de fois où la porte est ouverte. Si le courant reste coupé pendant une longue période, il faut prendre des mesures de protection du contenu de l'appareil.

Remarque: Attendez 3 à 5 minutes avant d'essayer de redémarrer le réfrigérateur si l'opération a été interrompue.

DÉMÉNAGER

- Assurez-vous que l'appareil est vide.
- Fixez les étagères avec du ruban adhésif.
- Fixez la porte avec du ruban adhésif.
- Tournez le pied réglable jusqu'à la base pour éviter tout dommage.
- Protégez l'extérieur de l'appareil avec une couverture ou un objet similaire.
- Assurez-vous que l'appareil reste en position verticale pendant le transport.
- Si l'appareil est placé sur le dos ou sur le côté pendant le transport, à la destination, laissez-le reposer pendant 6 heures avant de le brancher pour éviter d'endommager les composants internes.

CONSIGNES D'UTILISATION

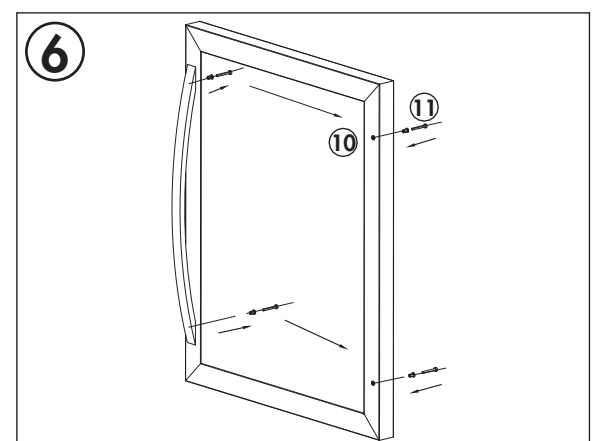
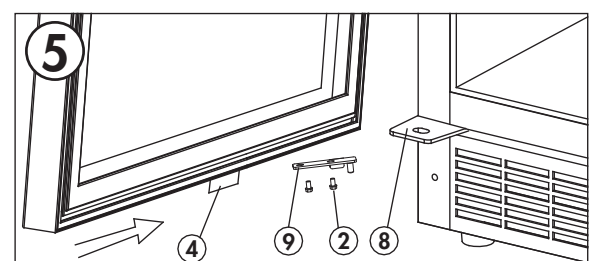
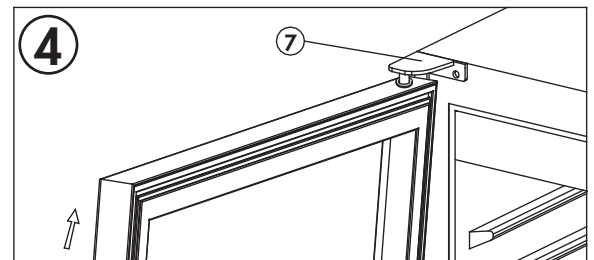
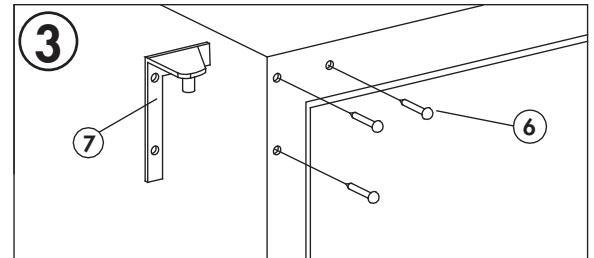
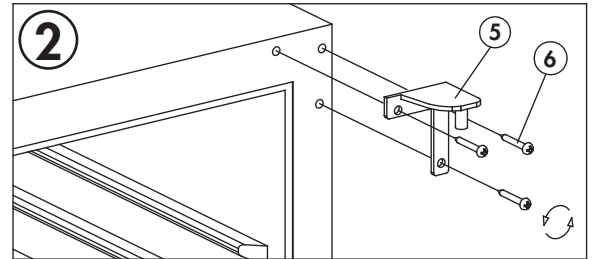
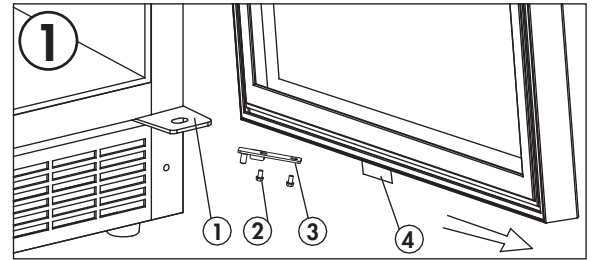
INSTRUCTIONS D'INVERSION DE PORTE

Si l'appareil est placé sur le dos ou sur le côté pendant un certain temps, il doit être autorisé à rester debout pendant 6 heures avant de le brancher afin d'éviter d'endommager les composants internes.

1. Retirez les deux vis qui fixent l'axe de la charnière droite à la charnière inférieure droite. Faites glisser la porte du bas vers l'extérieur pour la retirer de la charnière supérieure droite.
2. Retirez la charnière supérieure droite de l'armoire.
3. Retirez les caches des trous de vis situés dans le coin supérieur gauche de l'armoire et installez la charnière supérieure gauche. Placez les caches des trous de vis dans les trous de vis situés dans le coin supérieur droit du boîtier.
4. Retirez le couvercle du trou de charnière situé dans le coin supérieur gauche de la porte et placez-le dans le trou de charnière situé dans le coin supérieur droit de la porte. Installez la porte sur la charnière supérieure gauche.
5. Faites glisser le bas de la porte vers l'unité pour l'aligner avec la charnière inférieure gauche. Installez l'axe de la charnière gauche pour fixer la porte à la charnière inférieure gauche.
6. Desserrez la vis sur le côté de la poignée à l'aide de la clé hexagonale fournie. Retirez la poignée. Retirez le joint de la porte, le boulon et la colonne de fixation de la poignée sur le côté gauche de la porte. Installez le boulon et la colonne de fixation de la poignée sur le côté droit de la porte. Installez le joint de porte. Installez la poignée sur le côté droit de la porte en utilisant les mêmes vis.

Remarque: Avant de serrer les vis pour fixer l'axe de la charnière, assurez-vous que le haut de la porte est de niveau avec le haut de l'armoire, que l'actionneur situé au bas de la porte est en contact avec l'interrupteur de l'armoire et que le joint fait une bonne étanchéité avec le boîtier tout autour.

- | |
|--|
| <ol style="list-style-type: none">1. Charnière inférieure droite2. Vis d'axe3. Axe de la charnière droite4. Actionneur5. Charnière supérieure droite6. Vis de charnière7. Charnière supérieure gauche8. Charnière inférieure gauche9. Axe de la charnière gauche10. Colonne de fixation de poignée11. Boulon |
|--|



SOINS ET ENTRETIEN

NETTOYAGE

Assurez-vous que l'appareil est débranché avant de nettoyer une partie de l'appareil.

- Pour nettoyer l'intérieur de l'appareil, utilisez un chiffon doux et une solution d'une cuillère à soupe de bicarbonate de soude à un quart d'eau ou une solution de savon doux ou un détergent doux.
- Lavez les tablettes amovibles dans une solution détergente douce, puis séchez et essuyez avec un chiffon doux.
- Nettoyez l'extérieur avec un chiffon doux et humide et un peu de détergent doux.
- Il est important de garder la région de scellement de la porte sur l'armoire propre. Nettoyez avec un tissu savonneux, rincez la région et puis séchez.

Remarque: N'utilisez pas de produits nettoyants comprenant de l'ammoniaque ou de l'alcool sur l'appareil. L'ammoniaque ou l'alcool peuvent altérer le fini de l'appareil. N'utilisez jamais de nettoyant industriels sur aucune partie de votre appareil.

VACANCES

- **Courtes vacances:** Laissez le unité fonctionner pendant les vacances durant moins de trois semaines.
- **Longues vacances:** Si l'unité ne doit pas être utilisé pendant plusieurs mois, retirez tout ce qu'il contient et mettez-le hors tension. Nettoyez et asséchez à fond l'intérieur. Pour éviter les odeurs et le développement de moisissures, laissez la porte entrouverte, la coincer au besoin.

ÉLIMINATION DES DÉCHETS

Ce produit ne doit pas être traité comme un déchet domestique ordinaire, il doit être transporté au point de collecte approprié pour le recyclage des composants électriques. Pour obtenir des renseignements sur les points de collecte des déchets locaux, communiquez avec votre agence locale de traitement des déchets ou avec le bureau du gouvernement.

DÉPANNAGE

QUESTIONS FRÉQUEMMENT POSÉES

L'appareil n'est pas alimenté

- Un fusible de votre panneau de distribution peut être grillé ou le disjoncteur déclenché
- La fiche n'est pas complètement insérée dans prise murale

La température interne n'est pas assez froide ou l'appareil fonctionne en continu

- Le porte n'est pas fermées correctement ou ouverte trop souvent
- L'échappement est obstrué
- Ajout récemment d'une grande quantité de bouteilles chaudes à l'armoire
- Proximité de la source de chaleur ou de la lumière directe du soleil
- La température ambiante ou l'humidité est très élevée

Condensation sur le cabinet ou la porte

- Le porte n'est pas fermées correctement ou ouverte trop souvent
- La température ambiante ou l'humidité est très élevée

CODES D'ERREUR

CO: défaut de communication du système de contrôle

E1: défaut du capteur intérieur

E2: défaut du capteur de dégivrage

dr: la porte est ouverte plus d'une minute

EH: la température interne est supérieure de 8 degrés à la température définie pendant plus de 30 minutes

EL: la température interne est inférieure de 8 degrés à la température définie pendant plus de 30 minutes

Lc: le panneau de commande est verrouillé

Si des codes d'erreur s'affichent à l'écran pendant plus de 5 minutes, une réinitialisation de l'alimentation peut résoudre le problème. Débranchez l'appareil, attendez 5 minutes, puis rebranchez l'appareil. Si le code d'erreur persiste après une réinitialisation de l'alimentation, contactez le service à la clientèle ou un agent de service agréé.

Dans le cas du code d'erreur "Lc", le panneau de commande est verrouillé. Appuyez sur le bouton de verrouillage et maintenez-le enfoncé pendant 3 secondes pour déverrouiller le panneau de commande.

GARANTIE LIMITÉE « À DOMICILE »

Cet appareil de qualité est garanti exempt de tout vice de matière première et de fabrication, s'il est utilisé dans les conditions normales recommandées par le fabricant.

Cette garantie n'est offerte qu'à l'acheteur initial de l'appareil vendu par Danby Products Limited (Canada) ou Danby Products Inc. (É.-U.) (ci-après « Danby ») ou par l'un de ses distributeurs agréés et elle ne peut être transférée.

CONDITIONS

Les pièces en plastique sont garanties pendant trente (30) jours seulement à partir de la date de l'achat, sans aucune prolongation prévue.

Premiers 12 mois Pendant les premiers **douze (12) mois**, toutes les pièces fonctionnelles de ce produit qui s'avèrent défectueuses seront réparées ou remplacées, selon le choix du garant, sans frais à l'acheteur initial.

Pour bénéficiaire du service S'adresser au détaillant qui a vendu l'appareil, ou à la station technique agréée de service la plus proche, où les réparations doivent être effectuées par un technicien qualifié. Si les réparations sont effectuées par quiconque autre que la station de service agréée ou à des fins commerciales, toutes les obligations de Danby en vertu de cette garantie seront annulées.

Limites de l'entretien à domicile Danby se réserve le droit de limiter les limites de « Service au domicile » à proximité d'un dépôt de service agréé. Pour tout appareil nécessitant le service hors des limites de "Service à domicile" il sera la responsabilité du consommateur de transporter à ses frais au point d'achat d'origine ou un dépôt de service pour la réparation. Si l'appareil est installé à plus de **100 kilomètres (62 milles)** du centre de service le plus proche, il doit être livré à l'atelier de réparation autorisé par Danby le plus proche, car l'entretien doit uniquement être réalisé par un technicien qualifié et certifié pour effectuer un entretien couvert par la garantie de Danby.

Les frais de transport entre votre domicile et le lieu de l'entretien ne sont pas couverts par la présente garantie et doivent être acquittés par l'acheteur.

Aucune partie de la garantie ne prévoit implicitement que le fabricant sera tenu responsable des dommages subis par les aliments ou d'autres types de contenu, qu'ils soient causés par la défectuosité de l'appareil ou par son usage adéquat ou inadéquat.

EXCLUSIONS

En vertu de la présente, il n'existe aucune autre garantie, condition ou représentation, qu'elle soit exprimée ou tacite, de façon manifeste ou intentionnelle, par Danby ou ses distributeurs agréés. De même, sont exclues toutes les autres garanties, conditions ou représentations, y compris les garanties, conditions ou représentations en vertu de toute loi régissant la vente de produits ou de toute autre législation ou règlement semblable. En vertu de la présente, Danby ne peut être tenue responsable en cas de blessures corporelles ou de dégâts matériels, y compris à l'appareil, quelle qu'en soit la cause. Danby ne peut pas être tenue responsable des dommages indirects dus au fonctionnement défectueux de l'appareil. En achetant l'appareil, l'acheteur accepte de tenir sans reproche et de décharger Danby de toute responsabilité en cas de réclamation pour toute blessure corporelle ou tout dégât matériel causé par cet appareil.

CONDITIONS GÉNÉRALES

La garantie ou assurance ci-dessus ne s'applique pas si les dégâts ou réparations sont dus aux cas suivants :

- 1) Panne de courant.
- 2) Dommages subis pendant le transport ou le déplacement de l'appareil.
- 3) Alimentation électrique incorrecte (tension faible, câblage défectueux, fusibles incorrects).
- 4) Accident, modification, emploi abusif ou incorrect de l'appareil tel qu'une circulation d'air inadéquate dans la pièce ou des conditions de fonctionnement anormales (température extrêmement élevée ou basse).
- 5) Utilisation dans un but commercial ou industriel (à savoir, si l'appareil n'est pas installé dans un domicile résidentiel).
- 6) Incendie, dommages causés par l'eau, le vol, la guerre, une émeute, des hostilités, ou en cas de force majeure (ouragan, inondation, etc.).
- 7) Visites d'un technicien pour expliquer le fonctionnement de l'appareil au propriétaire.
- 8) Installation inappropriée (par exemple, encastrement d'un appareil autoportant, ou utilisation extérieure d'un appareil non conçu à cet effet, y compris, mais sans s'y limiter : les garages, les patios, les porches ou ailleurs, qui ne sont pas correctement isolés ou climatisés).

La preuve de la date d'achat sera requise pour les réclamations de garantie; conserver la facture de vente. Dans le cas où un service de garantie est requis, présentez la preuve d'achat à notre dépôt de service agréé.

Service sous garantie

Service au domicile

Danby Products Limited
PO Box 1778, Guelph, Ontario, Canada N1H 6Z9
Téléphone : (519) 837-0920 Télécopieur : (519) 837-0449

1-800-263-2629

02/18

Danby Products Inc.
PO Box 669, Findlay, Ohio, U.S.A. 45840
Téléphone : (419) 425-8627 Télécopieur : (419) 425-8629

Bienvenido a la familia Danby.

Estamos orgullosos de nuestros productos de calidad y creemos en un servicio confiable. Le sugerimos que lea este manual del propietario antes de enchufar su nuevo electrodoméstico, ya que contiene información importante de funcionamiento, información de seguridad, solución de problemas y consejos de mantenimiento para garantizar la confiabilidad y longevidad de su electrodoméstico.

Tiene derecho a la cobertura de la garantía como se describe en el manual del propietario que se proporciona con su nuevo electrodoméstico.

1. Escriba la información de su aparato a continuación. **Debe conservar el comprobante de compra original para validar y recibir los servicios de garantía.**
2. Registre su producto en línea y reciba una **EXTENSIÓN DE GARANTÍA GRATUITA DE 2 MESES** después de completar una encuesta sobre el producto, en www.danby.com/support/product-registration/

Número de modelo: _____

Número de serie: _____

Fecha de compra: _____

Necesitas ayuda?

1. Lea el manual del propietario para obtener ayuda con la instalación, resolución de problemas y asistencia de mantenimiento.
2. Visite www.Danby.com para acceder a herramientas de autoservicio, preguntas frecuentes y mucho más buscando su número de modelo en la barra de búsqueda.
3. Para obtener el **servicio al cliente más rápido**, complete el formulario web en www.danby.com/support. Su envío irá directamente a un experto en su dispositivo en particular. Nuestros tiempos de respuesta promedio son entre 20 minutos y 2 horas, durante el horario comercial EST.
4. Llame al **1-800-263-2629**; tenga en cuenta que durante las horas pico, los tiempos de espera pueden exceder una hora.



Importantes Instrucciones de Seguridad

LEA Y SIGA TODAS LAS INSTRUCCIONES DE SEGURIDAD

REQUERIMIENTOS DE SEGURIDAD

PELIGRO: Riesgo de incendio o explosión. Refrigerante inflamable usado. No perforar la tubería del refrigerante.

- Asegúrese de que el personal de mantenimiento autorizado por la fábrica haga el mantenimiento para minimizar los daños o problemas de seguridad del producto.
- Consulte el manual de reparación o la guía del propietario antes de intentar reparar este producto. Todas las precauciones de seguridad deben ser seguidas.
- Deseche adecuadamente de acuerdo con las regulaciones federales o locales.
- Siga cuidadosamente las instrucciones de manipulación.
- No almacene sustancias explosivas como aerosoles con propelente inflamable en este electrodoméstico.

ADVERTENCIA:

- Mantenga las aberturas de ventilación, en la caja del aparato o en la estructura incorporada, sin obstrucción.
- No utilice dispositivos mecánicos u otros medios para acelerar el proceso de descongelación, distintos de los recomendados por el fabricante.
- No dañe el circuito refrigerante.
- No utilice electrodomésticos dentro de los compartimentos de almacenamiento de alimentos del aparato, a menos que sean del tipo recomendado por el fabricante.

PRECAUCIÓN: Los niños deben ser supervisados para asegurarse de que no juegan con el aparato.

PELIGRO: Riesgo de atrapamiento de niños. Antes de tirar un electrodoméstico viejo:

- Retire la puerta o la tapa.
- Deje los estantes en su lugar para que los niños no puedan subir fácilmente dentro.

Este aparato no está diseñado para ser usado por personas (incluyendo niños) cuyas capacidades físicas, sensoriales o mentales pueden ser diferentes o reducir, o que carecen de experiencia o conocimiento, a menos que dichas personas reciban supervisión o entrenamiento para operar el aparato por una persona responsable de su seguridad.

Este dispositivo está destinado a ser utilizado en aplicaciones domésticas y similares, tales como:

- Cocinas de personal en tiendas, oficinas y otros entornos de trabajo;
- Casas rurales y clientes en hoteles, moteles y otros entornos de tipo residencial;
- Cama y desayuno;
- Catering y aplicaciones similares no minoristas.

INSTRUCCIONES DE CONEXION A TIERRA

Este aparato debe estar conectado a tierra. La puesta a tierra reduce el riesgo de descarga eléctrica proporcionando un cable de escape para la corriente eléctrica.

Este aparato tiene un cable que tiene un cable de conexión a tierra con un enchufe de 3 clavijas. El cable de alimentación debe estar enchufado en un tomacorriente que esté debidamente conectado a tierra. Si el tomacorriente es un enchufe de pared de 2 terminales, debe ser reemplazado por un tomacorriente de pared de 3 clavijas debidamente conectado a tierra. La placa de características en serie indica el voltaje y la frecuencia que el aparato está diseñado para.

ADVERTENCIA - El uso incorrecto del enchufe de conexión a tierra puede resultar en un riesgo de descarga eléctrica. Consulte a un electricista calificado o agente de servicio si las instrucciones de conexión a tierra no se entienden completamente o si existe duda sobre si el aparato está debidamente conectado a tierra.

No conecte el aparato a los cables de extensión ni con otro aparato en la misma toma de corriente.

No empalme el cable de alimentación. No corte ni extraiga en ningún caso la tercera clavija de tierra del cable de alimentación. No utilice cables de extensión ni adaptadores sin conexión a tierra (dos clavijas).

Si el cable de alimentación está dañado, debe ser reemplazado por el fabricante, su agente de servicio o una persona calificada similar para evitar un peligro.

¡GUARDE ESTAS INSTRUCCIONES!

INSTRUCCIONES DE INSTALACIÓN

UBICACIÓN

- Se deben utilizar dos personas para mover el aparato.
- Retire el embalaje interior y exterior antes de la instalación. Limpie el exterior del aparato con un paño suave y seco y el interior con un paño húmedo y tibio.
- Coloque el electrodoméstico en un piso que sea lo suficientemente fuerte para soportarlo cuando esté completamente cargado.
- No coloque el aparato bajo la luz solar directa o cerca de fuentes de calor, como una estufa o calentador, ya que esto puede aumentar el consumo eléctrico. Las temperaturas ambientales extremadamente frías también pueden hacer que el aparato funcione incorrectamente.
- No utilice el aparato cerca del agua, por ejemplo, en un sótano húmedo o cerca de un fregadero.
- Este aparato está diseñado únicamente para uso doméstico. No está diseñado para instalación en el exterior, incluso en cualquier lugar que no tenga control de temperatura, como garajes, porches, vehículos, etc.
- Antes de conectar el aparato a una fuente de alimentación, déjelo en posición vertical durante aproximadamente 6 horas. Esto reducirá la posibilidad de un mal funcionamiento en el sistema de enfriamiento debido al manejo durante el transporte.
- Este electrodoméstico mide 23,8 pulgadas (60,5 cm) de ancho, 34,9 pulgadas (88,7 cm) de alto a la altura máxima de las piernas y 25,4 pulgadas (64,5 cm) de profundidad, incluido el mango.

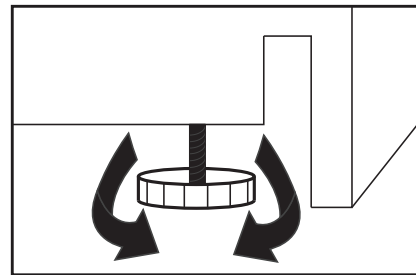
VENTILACIÓN FRONTAL

Este aparato es de respiración frontal. No bloquee la salida de aire frontal, ya que esto dará como resultado altas temperaturas de funcionamiento, un mayor uso de energía y un posible sobrecalentamiento y falla del sistema.

INSTRUCCIONES DE NIVELACIÓN

Hay dos patas ajustables en la parte inferior del aparato que se pueden subir o bajar para asegurarse de que el aparato esté nivelado. Es importante que el aparato esté nivelado para minimizar el ruido y las vibraciones. Para nivelar el aparato:

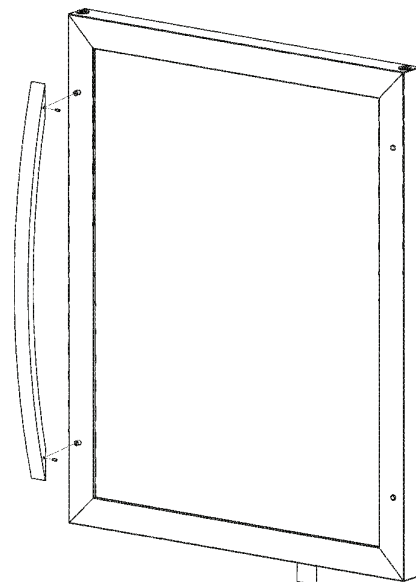
1. Gire las patas de nivelación en el sentido de las manecillas del reloj hasta el tope, hasta que la parte superior de los pies toque la parte inferior del chasis.
2. Gire lentamente las patas de nivelación en sentido contrario a las agujas del reloj hasta que el aparato esté nivelado.



INSTALACIÓN DEL MANIJA

El electrodoméstico se envía con la manija dentro del gabinete para protegerlo de daños. Debe ser instalado por el usuario final.

1. Coloque la manija en la columna de la puerta.
2. Apriete los tornillos en el costado del mango hasta que estén ajustados.



INSTRUCCIONES DE INSTALACIÓN

PREPARAR EL RECINTO

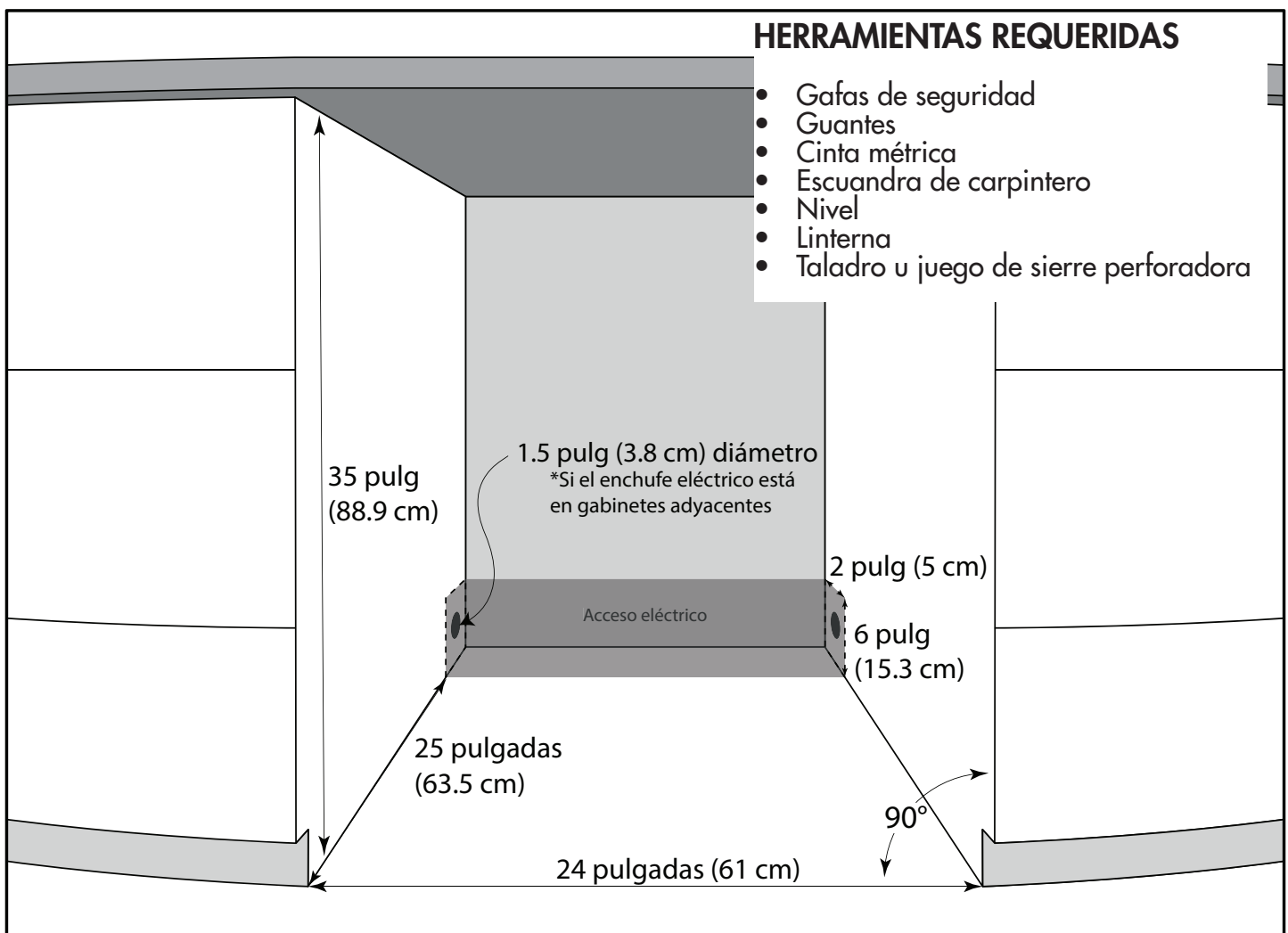
Se deben usar guantes y gafas de seguridad durante la instalación.

No se recomienda instalar el aparato en una esquina o directamente al lado de una pared. La puerta tendrá que abrirse más de 90° para permitir la extensión completa de los estantes. Si es necesario colocar la unidad cerca de una pared o en una esquina, deje al menos 2-4 pulgadas (5-10 cm) de espacio entre la pared y el aparato para permitir la apertura de la puerta.

La abertura del gabinete debe tener al menos 24 pulgadas (61 cm) de ancho por 35 pulgadas (88.9 cm) de alto por 25 pulgadas (63.5 cm) de profundidad.

Nota: El requisito de profundidad es suponer que la salida eléctrica se encuentra en el gabinete adyacente o montada enrasada en la pared posterior, no montada en superficie dentro del recinto.

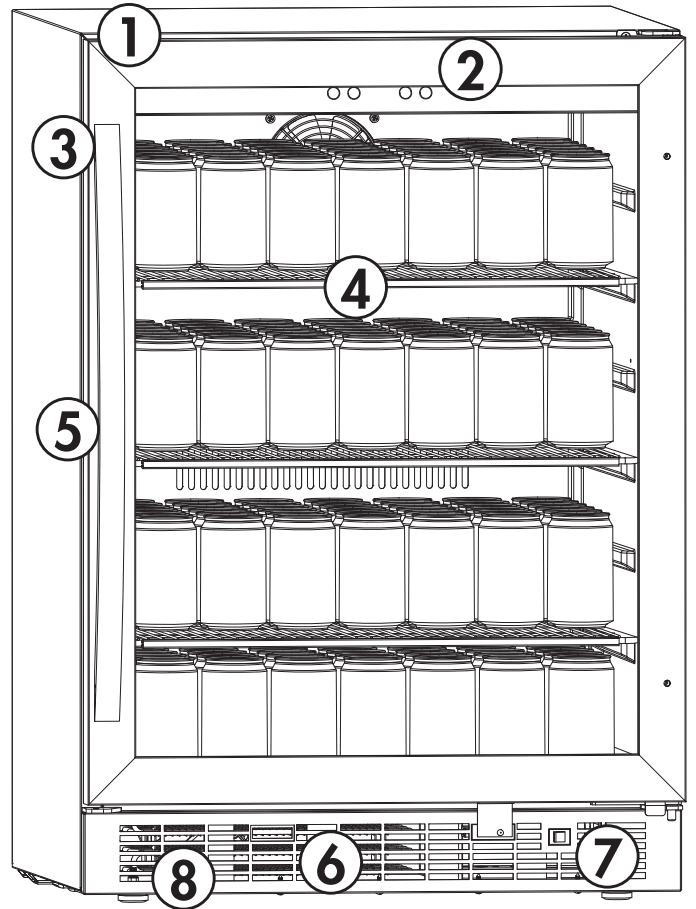
Si el tomacorriente se encuentra dentro de gabinetes adyacentes, corte un orificio de 1.5 pulgadas (3.8 cm) de diámetro para admitir el cable de alimentación. Si la pared del armario es metálica, el borde del agujero debe estar cubierto con un casquillo o arandela.



INSTRUCCIONES DE OPERACIÓN

CARACTERÍSTICAS

1. **Puerta de vidrio Low-E:** vidrio Low-E utilizado para reflejar y absorber el calor.
2. **Pantalla y controles electrónicos:** Para ver y configurar la temperatura.
3. **Juntas de puerta magnéticas:** los sellos ajustados retienen todos los niveles de potencia de enfriamiento y humedad.
4. **Estantes de alambre**
5. **Manija**
6. **Escape de montaje frontal:** permite aplicaciones integradas (integradas).
7. **Interruptor de luz:** permite la iluminación constante del interior del aparato.
8. **Patas niveladoras:** ajuste para nivelar el aparato.
9. **Luz interior (no se muestra):** La iluminación LED azul ilumina el interior sin el calor de una bombilla incandescente.



PANEL DE CONTROL

1. **Botón de bloqueo:** El panel de control se bloqueará automáticamente después de 3 minutos de inactividad. No se puede presionar ningún botón mientras el panel de control está bloqueado. Mantenga presionado el botón de bloqueo durante 3 segundos para desbloquear el panel de control.
2. **Botón °C / °F:** Presione para cambiar la visualización de temperatura entre °C y °F.
3. **Pantalla para la temperatura:** Muestra la temperatura establecida. Si se presiona un botón mientras el panel de control está bloqueado, mostrará "Lc".
4. **Botones arriba y abajo:** Se utiliza para aumentar o disminuir la temperatura ajustada en incrementos de 1°.



INSTRUCCIONES DE OPERACIÓN

INSTRUCCIÓN DE LA FUNCIÓN

El ajuste de temperatura predeterminado es 54 °F (12 °C).

La escala de temperatura predeterminada es °C.

Pulse el botón °C/°F para cambiar la escala de temperatura.

La temperatura se puede configurar tan baja como 38 °F (3 °C) o tan alta como 64 °F (18 °C)

La temperatura real dentro del electrodoméstico puede variar según la temperatura ambiente, la frecuencia con la que se abre la puerta y la cantidad de biberones calientes que se agregaron recientemente al electrodoméstico.

LUZ INTERIOR

La luz interior se encenderá y apagará por defecto cuando la puerta se abra o se cierre.

El interruptor de la luz se puede utilizar para configurar la luz con iluminación constante cuando la puerta está abierta y cerrada.

Si la puerta está abierta durante más de 10 minutos, la luz interior se apagará automáticamente.

INSTRUCCIONES DE ALMACENAMIENTO

La capacidad máxima de este aparato es de 154 (355 ml) latas.

DESCONGELAR

Esta unidad está equipada con una función de descongelación automática y no requiere descongelación manual. El agua de descongelación del aparato se canaliza en una bandeja de goteo situada por encima del compresor. La transferencia de calor desde el compresor hace que el agua de descongelación se evapore.

FALLO DE ALIMENTACIÓN

La mayoría de las fallas de alimentación se corrigen en pocas horas y no deben afectar la temperatura de su aparato si minimiza el número de veces que se abre la puerta. Si la alimentación va a estar apagada por un período de tiempo más largo, tome las medidas apropiadas para proteger su contenido.

Nota: Espere de 3 a 5 minutos antes de intentar reiniciar el refrigerador si se ha interrumpido la operación.

MUDARSE

- Asegúrese de que el electrodoméstico esté vacío.
- Asegure los estantes con cinta.
- Asegure la puerta con cinta.
- Gire el pie ajustable hacia la base para evitar daños.
- Proteja el exterior del electrodoméstico con una manta o artículo similar.
- Asegúrese de que el electrodoméstico permanezca en posición vertical durante el transporte.
- Si el electrodoméstico se coloca de espaldas o de lado durante el transporte, al llegar al destino, déjelo en posición vertical durante 6 horas antes de enchufarlo para evitar daños a los componentes internos.

INSTRUCCIONES DE OPERACIÓN

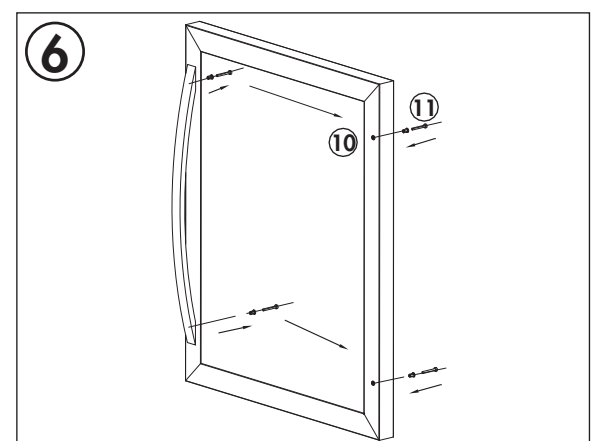
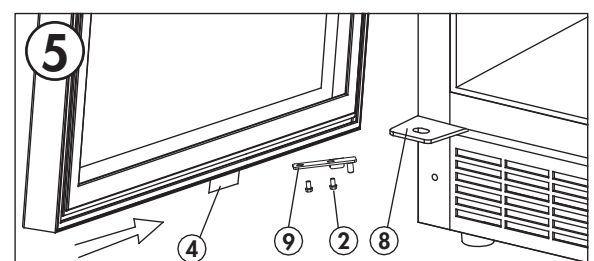
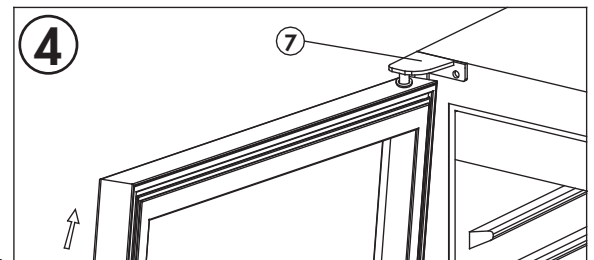
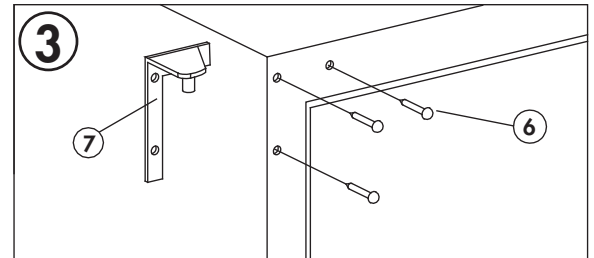
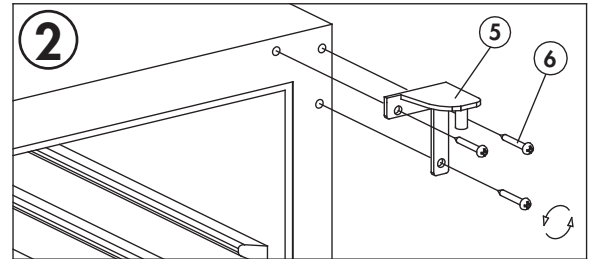
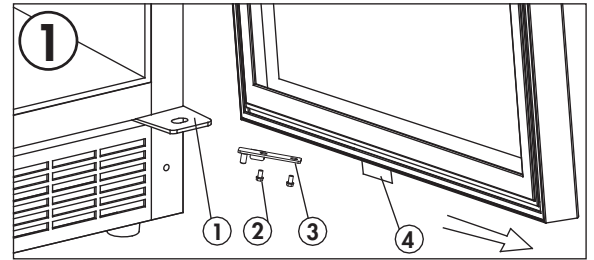
INSTRUCCIONES DE REVERSIÓN DE PUERTA

Si el electrodoméstico se coloca sobre su parte posterior o lateral por un período de tiempo prolongado, debe dejarse en posición vertical durante 6 horas antes de enchufarlo para evitar daños a los componentes internos.

1. Retire los dos tornillos que aseguran el eje de la bisagra derecha a la bisagra inferior derecha. Deslice la puerta hacia afuera desde la parte inferior para quitarla de la bisagra superior derecha.
2. Retire la bisagra superior derecha del gabinete.
3. Retire las tapas de los orificios para tornillos del lado superior izquierdo del gabinete e instale la bisagra superior izquierda. Coloque las tapas de los orificios para tornillos en los orificios para tornillos en el lado superior derecho del gabinete.
4. Retire la cubierta del orificio de la bisagra del lado superior izquierdo de la puerta y colóquela en el orificio de la bisagra del lado superior derecho de la puerta. Instale la puerta en la bisagra superior izquierda.
5. Deslice la parte inferior de la puerta hacia la unidad para alinearla con la bisagra inferior izquierda. Instale el eje de la bisagra izquierda para asegurar la puerta a la bisagra inferior izquierda.
6. Afloje el tornillo en el lado del mango con la llave hexagonal proporcionada. Retire el mango. Retire la junta de la puerta, el perno y la columna de fijación de la manija en el lado izquierdo de la puerta. Instale el perno y la columna de fijación de la manija en el lado derecho de la puerta. Instale la junta de la puerta. Instale la manija en el lado derecho de la puerta usando los mismos tornillos.

Nota: Antes de apretar los tornillos para asegurar el eje de la bisagra, asegúrese de que la parte superior de la puerta esté nivelada con la parte superior del gabinete, que el actuador en la parte inferior de la puerta esté haciendo contacto con el interruptor del gabinete y que la goma la junta está haciendo un buen sello con el gabinete en todos los sentidos.

1. Bisagra inferior derecha
2. Tornillos de eje
3. Eje de bisagra derecho
4. Solenoide
5. Bisagra superior derecha
6. Tornillos de bisagra
7. Bisagra superior izquierda
8. Bisagra inferior izquierda
9. Eje de bisagra izquierda
10. Columna de fijación de manija
11. Tornillo



CUIDADO Y MANTENIMIENTO

LIMPIEZA

Asegúrese de que la unidad esté desenchufada antes de limpiar cualquier parte del aparato.

- Para limpiar el interior del aparato, utilice un paño suave y una solución de una cucharada de bicarbonato de sodio a un litro de agua o una solución de jabón suave o algún detergente suave.
- Lave los estantes removibles en una solución de detergente suave, luego seque y limpie con un paño suave.
- Limpie el exterior con un paño suave y húmedo y un poco de detergente suave.
- Es importante mantener el área limpia donde la puerta sella contra el gabinete. Limpie este área con un paño jabonoso. Enjuague con un paño húmedo y deje secar.

Nota: No utilice limpiadores que contengan amoníaco o alcohol en el aparato. El amoníaco o el alcohol pueden dañar el aspecto del aparato. Nunca utilice limpiadores comerciales o abrasivos ni objetos afilados en ninguna parte del aparato.

VACACIONES

- **Vacaciones cortas:** Deje el aparato en funcionamiento durante las vacaciones de menos de tres semanas.
- **Largas vacaciones:** Si el aparato no se va a utilizar durante varios meses, retire todos los artículos y apague el aparato. Limpie y seque el interior a fondo. Para evitar el olor y el moho, deje la puerta ligeramente abierta, bloqueándola si es necesario.

DISPOSICIÓN

Este aparato no puede ser tratado como un residuo doméstico normal, sino que debe ser llevado al punto de recogida de residuos apropiado para el reciclaje de componentes eléctricos. Para obtener información sobre los puntos de recogida de residuos locales, póngase en contacto con la agencia local de eliminación de residuos o con la oficina gubernamental.

SOLUCIÓN SUGERIDA

PREGUNTAS FRECUENTES

No funciona

- Un fusible en su casa puede soplarse o el interruptor de circuito disparado
- El enchufe no está completamente insertado en la toma de corriente

La temperatura interna no es lo suficientemente fría o el aparato funciona continuamente

- La puerta no se cierra correctamente o se abre demasiado
- El respiradero de escape está obstruido
- Recientemente se agregó una gran cantidad de botellas calientes al gabinete
- Muy cerca de la fuente de calor o de la luz solar directa
- La temperatura ambiente o la humedad es muy alta
- Posible pérdida del sistema, fallo del ventilador del evaporador o falla del compresor

Condensación en el armario o en la puerta

- La puerta no se cierra correctamente o se abre demasiado
- La temperatura ambiente o la humedad es muy alta

CÓDIGOS DE ERROR

CO: falla de comunicación del sistema de control
E1: falla del sensor interior
E2: falla del sensor de descongelamiento
dr: la puerta está abierta por más de 1 minuto
EH: la temperatura interna es 8 grados más alta que la temperatura establecida por más de 30 minutos
EL: la temperatura interna es 8 grados más baja que la temperatura establecida por más de 30 minutos
Lc: el panel de control está bloqueado

Si aparecen códigos de error en la pantalla durante más de 5 minutos, un reinicio de energía puede solucionar el problema. Desenchufe el electrodoméstico, espere 5 minutos y luego vuelva a enchufarlo. Si el código de error persiste después de restablecer la energía, comuníquese con el servicio de atención al cliente o con un agente de servicio autorizado.

En el caso del código de error "Lc", el panel de control está bloqueado. Mantenga presionado el botón de bloqueo durante 3 segundos para desbloquear el panel de control.

GARANTÍA LIMITADA "A DOMICILIO"

Este producto de calidad está garantizado contra defectos de fabricación, incluyendo partes y mano de obra, siempre y cuando la unidad se utilice bajo las condiciones normales de funcionamiento para las que fue diseñado. Esta garantía está solamente disponible para la persona que haya comprado originalmente esta unidad directamente de Danby Products Limited (Canada) o Danby Products Inc. (U.S.A.) (en adelante "Danby") o uno de sus distribuidores autorizados, y no es transferible.

CONDICIONES DE LA GARANTÍA

Las piezas plásticas, se autorizan por treinta (30) días solamente a partir de la fecha de la compra, sin las extensiones proporcionadas.

Primeros 12 meses Durante los primeros **doce (12) meses**, cualquier parte en buen estado de este producto que resulte defectuosa, incluyendo cualquier sistema sellado, será reparado o reemplazado, a opción del fabricante, sin cargo para el comprador ORIGINAL.

Para obtener servicio Comuníquese con el distribuidor donde haya comprado la unidad, o llame al Taller de Servicio Autorizado más cercano, donde debe ser reparada por un técnico calificado. Si esta unidad es reparada en otro lugar que no sea un Taller de Servicio Autorizado, o si la unidad se utiliza para aplicaciones comerciales, Danby no se hará responsable de ninguna forma y la garantía será anulada.

Límites del servicio técnico a domicilio Danby se reserva el derecho de limitar la cobertura de "Servicio en Domicilio" sujeto a la proximidad de un **Taller de Servicio Autorizado**. Para todo artefacto que requiera servicio fuera del área limitada de "Servicio en Domicilio", el cliente será responsable por transportar dicho artefacto hasta el Taller de Servicio Autorizado más cercano. Si el electrodoméstico está instalado en un lugar que se encuentra a **100 kilómetros (62 millas)** o más del centro de servicios más cercano, se debe llevar la unidad al Centro de servicios Danby autorizado más cercano, ya que dicho servicio sólo puede realizarlo un técnico calificado y certificado por Danby para prestar servicios de garantía.

Los cargos por transporte desde y hacia el lugar en que se efectúe el servicio técnico no están cubiertos por esta garantía y son de responsabilidad del comprador.

Nada dentro de esta garantía implica que Danby será responsable por cualquier daño que hayan sufrido los alimentos u otros contenidos de este aparato, ya sea debido a un defecto del aparato, o su uso, adecuado o inadecuado.

EXCLUSIONES

Salvo lo aquí indicado por Danby, no existen otras garantías, condiciones o representaciones, explícitas o implícitas, concretas o intencionales por parte de Danby o sus distribuidores autorizados y todas las demás garantías, condiciones o representaciones, incluyendo cualquier garantía, condiciones o representaciones bajo cualquier Acta de Venta de Productos o legislación o estatuto similar, quedan de esta forma expresamente excluidas. **Salvo lo aquí indicado, Danby no serán responsables por ningún daño a personas o bienes, incluyendo la propia unidad, sin importar su causa, o de ningún daño indirecto causado por el desperfecto de la unidad, y al comprar esta unidad, el comprador acepta por la presente, indemnizar y proteger a Danby contra cualquier reclamo por daños a personas o bienes causados por la unidad.**

CONDICIONES GENERALES

No se considerará ninguna de estas garantías o seguros cuando el daño o la necesidad de reparación sea el producto de los siguientes casos:

- 1) Falla del suministro eléctrico.
- 2) Daños en tránsito o durante el transporte de la unidad.
- 3) Alimentación incorrecta, como bajo voltaje, instalación eléctrica defectuosa o fusibles inadecuados.
- 4) Accidente, modificación, abuso o uso incorrecto del artefacto, tal como insuficiente ventilación del ambiente o condiciones de operación anormales (temperatura ambiente extremadamente alta o baja).
- 5) Utilización comercial o industrial (v.g., si el electrodoméstico no está instalado en una vivienda particular).
- 6) Incendio, daños por agua, robo, guerra, disturbios, hostilidades, actos de fuerza mayor como huracanes, inundaciones, etc.
- 7) Pedidos de servicio debido a desinformación del usuario.
- 8) Instalación inadecuada (v.g., instalación empotrada de un electrodoméstico diseñado como unidad independiente o uso de un electrodoméstico al aire libre que no esté aprobado para dicho fin, incluyendo pero no limitado a: garajes, patios, porches o en cualquier lugar que no esté bien aislado o controlado por el clima).

Se requerirá una prueba de la fecha de compra para reclamaciones de garantía; Retener las facturas de venta. En el caso de que se requiera servicio de garantía, presente el comprobante de compra a nuestro depósito de servicio autorizado.

Servicio de Garantía
Servicio en Domicilio

Danby Products Limited
PO Box 1778, Guelph, Ontario, Canada N1H 6Z9
Telephone: (519) 837-0920 FAX: (519) 837-0449

1-800-263-2629
04/17

Danby Products Inc.
PO Box 669, Findlay, Ohio, U.S.A. 45840
Telephone: (419) 425-8627 FAX: (419) 425-8629