



OWNER'S MANUAL

MANUEL DU PROPRIÉTAIRE

MANUAL DEL PROPIETARIO

MODEL • MODÈLE • MODELO

DIM32D1BSSPR



**ICE MAKER**

**Owner's Manual.....1 - 12**

**MACHINE À GLAÇONS**

**Manuel du propriétaire.....13 - 24**

**MAQUINA DE HIELO**

**Manual del propietario.....25 - 36**

1-844-455-6097

Danby Products Limited, Guelph, Ontario Canada N1H 6Z9  
Danby Products Inc., Findlay, Ohio USA 45840

# Welcome

Welcome to the Silhouette family. We are proud of our quality products and we believe in dependable service. We suggest that you read this owner's manual before plugging in your new appliance as it contains important operation information, safety information, troubleshooting and maintenance tips to ensure the reliability and longevity of your appliance.

Visit [www.SilhouetteAppliances.com](http://www.SilhouetteAppliances.com) to access self service tools, FAQs and much more. For additional assistance call **1-844-455-6097**.

**Note the information below; you will need this information to obtain service under warranty.**

**You must provide the original purchase receipt to validate your warranty and receive service.**

**Model Number:** \_\_\_\_\_

**Serial Number:** \_\_\_\_\_

**Date of Purchase:** \_\_\_\_\_

## Need Help?

Before you call for service, here are a few things you can do to help us serve you better.

**Read this owner's manual:**

It contains instructions to help you use and maintain your appliance properly.

**If you receive a damaged appliance:**

Immediately contact the retailer or builder that sold you the appliance.

**Save time and money:**

Check the troubleshooting section at the end of this manual before calling. This section will help you solve common problems that may occur.



1-844-455-6097



## Important Safety Information

### READ AND FOLLOW ALL SAFETY INSTRUCTIONS

#### SAFETY REQUIREMENTS

**DANGER:** Risk of fire or explosion. Flammable refrigerant used. Do not puncture refrigerant tubing.

- Do not use mechanical devices to defrost refrigerator.
- Ensure that servicing is done by factory authorized service personnel, to minimize product damage or safety issues.

**WARNING:** Keep ventilation openings, in the appliance enclosure or in the built-in structure, clear of obstruction.

**WARNING:** Do not use mechanical devices or other means to accelerate the defrosting process, other than those recommended by the manufacturer.

**WARNING:** Do not damage the refrigerant circuit.

**WARNING:** Do not use electrical appliances inside the food storage compartments of the appliance, unless they are of the type recommended by the manufacturer.

**CAUTION:** Risk of fire or explosion. Flammable refrigerant used.

- Consult repair manual or owner's guide before attempting to service this product. All safety precautions must be followed.
- Dispose of properly in accordance with federal or local regulations.
- Follow handling instructions carefully.

**CAUTION:** Children should be supervised to ensure that they do not play with the appliance.

**DANGER:** Risk of child entrapment. Before throwing away an old appliance:

- Remove the door or lid.
- Leave shelves in place so that children may not easily climb inside.

**WARNING:** Fill with potable water only.

#### SAFETY REQUIREMENTS

This appliance is not intended for use by persons (including children) whose physical, sensory or mental capabilities may be different or reduced, or who lack experience or knowledge, unless such persons receive supervision or training to operate the appliance by a person responsible for their safety.

#### GROUNDING INSTRUCTIONS

This appliance must be grounded. Grounding reduces the risk of electrical shock by providing an escape wire for the electrical current.

This appliance has a cord that has a grounding wire with a 3-prong plug. The power cord must be plugged into an outlet that is properly grounded. If the outlet is a 2-prong wall outlet, it must be replaced with a properly grounded 3-prong wall outlet. The serial rating plate indicates the voltage and frequency the appliance is designed for.

**WARNING** - Improper use of the grounding plug can result in a risk of electric shock. Consult a qualified electrician or service agent if the grounding instructions are not completely understood, or if doubt exists as to whether the appliance is properly grounded.

**Do not connect your appliance to extension cords or together with another appliance in the same wall outlet.** Do not splice the power cord. Do not under any circumstances cut or remove the third ground prong from the power cord. Do not use extension cords or ungrounded (two prongs) adapters.

If the power supply cord is damaged, it must be replaced by the manufacturer, its service agent or similar qualified person in order to avoid hazard.

**SAVE THESE INSTRUCTIONS!**

# INSTALLATION INSTRUCTIONS

## LOCATION

- Two people should be used when moving the appliance.
- Remove interior and exterior packaging prior to installation. Wipe the outside of the appliance with a soft, dry cloth and the inside with a lukewarm wet cloth.
- Place the appliance on a floor that is strong enough to support it when it is fully loaded.
- Do not place the appliance in direct sunlight or near sources of heat, such as a stove or heater, as this can increase electrical consumption. Extreme cold ambient temperatures may also cause the appliance to perform improperly.
- This appliance is intended for household use only. It is not designed for outside installation, including anywhere that is not temperature controlled (garages, porches, vehicles, etc.).
- Before connecting the appliance to a power source, let it stand upright for approximately 6 hours. This will reduce the possibility of a malfunction in the cooling system from handling during transportation.
- This appliance is 15 inches (38 cm) wide by 34.3 inches (87 cm) high by 24.2 inches (61.4 cm) deep.
- The ice maker should be placed in an area where the ambient temperature is between 54°F - 95°F (12°C - 35°C). If the ambient temperature is above or below this range the performance of the appliance may be affected.

## FRONT VENT

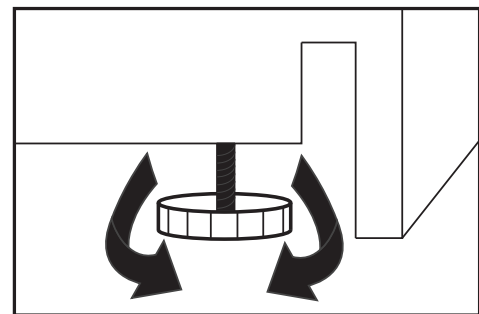
This appliance is front breathing. Do not block the front air vent as this will result in high operating temperatures, higher energy usage and possible system overheating and failure.



## LEVELING INSTRUCTIONS

There is an adjustable leg on the bottom of the appliance that can be turned up or down to ensure that the appliance is level. It is important that the appliance is level to minimize noise and vibration. To level the appliance:

1. Move the appliance to its final location.
2. Turn the leveling leg counter-clockwise as far as it will go, until the top of the foot is touching the bottom of the chassis.
3. Slowly turn the leveling leg clockwise until the appliance is level.



# INSTALLATION INSTRUCTIONS

## PREPARING THE ENCLOSURE

Gloves and safety goggles should be worn during installation.

It is not recommended to install the appliance into a corner or directly beside a wall. The door will need to be opened more than 90° to allow for the removal of the ice bucket. If it is necessary to place the unit next to a wall or in a corner, leave at least 2-4 inches (5-10 cm) of space between the wall and the appliance to allow for the door opening.

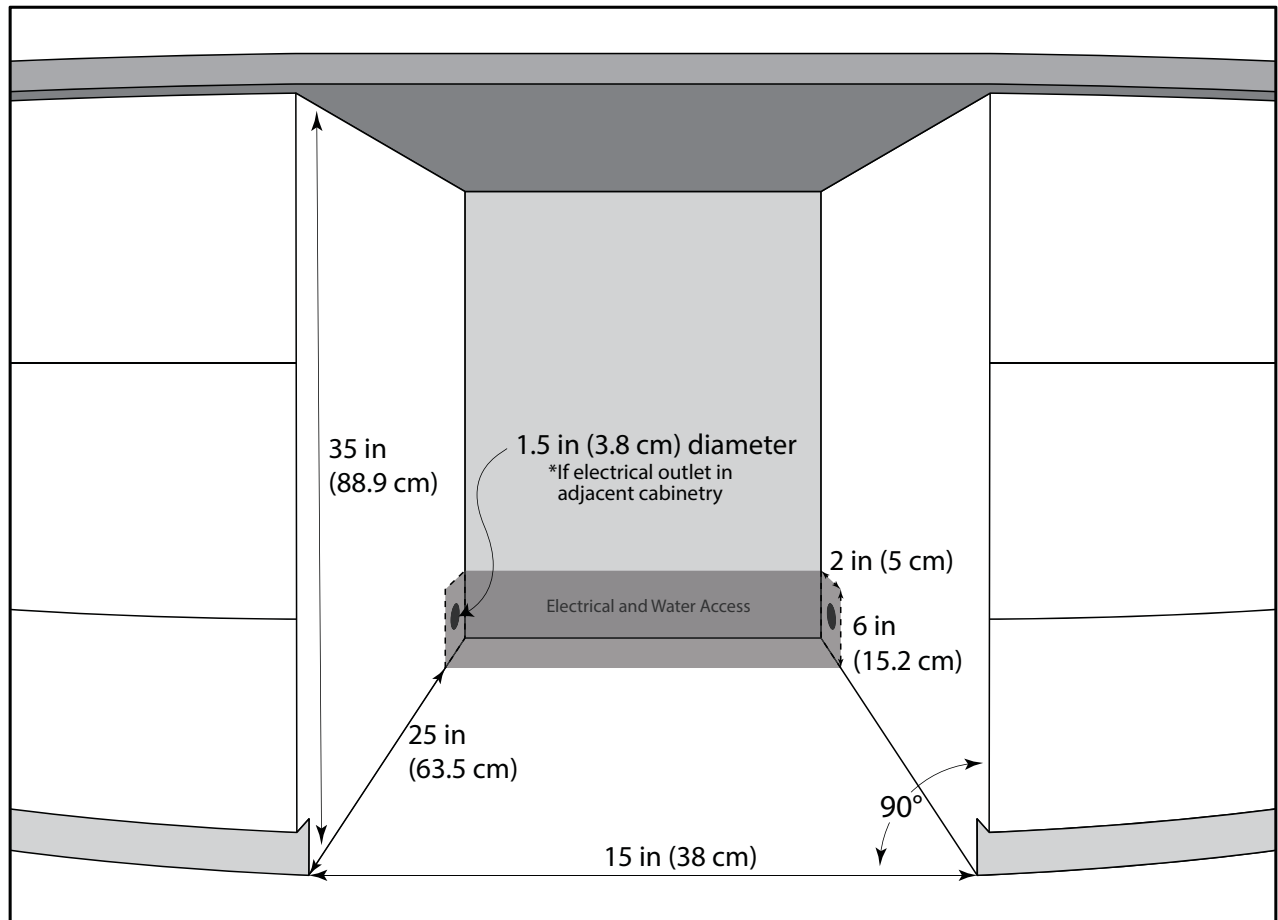
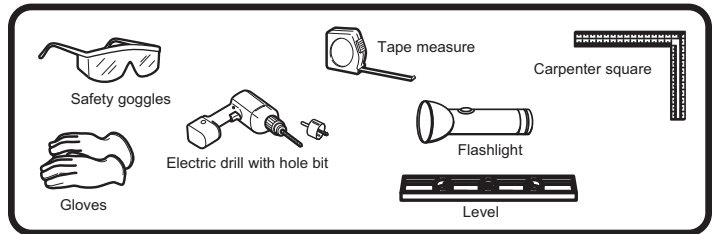
The cabinet opening must be at least 15 inches (38 cm) wide by 35 inches (88.9 cm) high by 25 inches (63.5 cm) deep.

**Note:** The listed depth requirement is assuming that the electrical outlet and the water supply are located in the adjacent cabinetry or flush mounted in the rear wall, not surface mounted inside the enclosure.

If the electrical outlet and water supply are located inside adjacent cabinetry, cut a 1.5 inch (3.8 cm) diameter hole to admit the power cord and water inlet hose. If the cabinet wall is metal, the hole edge must be covered with a bushing or grommet.

## REQUIRED TOOLS

- Safety goggles
- Gloves
- Tape measure
- Carpenter square
- Level
- Flashlight
- Electric drill with hole bit



# INSTALLATION INSTRUCTIONS

## WATER INLET HOSE INSTALLATION

### WARNING

To avoid electrical shock, which can cause death or severe injury, ensure the ice maker is not plugged in before connecting the water supply line.

Plastic tubing is not recommended for the inlet hose as it greatly increases the potential for water leaks. The manufacturer will not be responsible for any damage if plastic tubing is used for the water supply line.

Do not install water supply tubing in areas where temperatures fall below freezing.

Ensure the ice maker is connected to a potable water source that is not tied into a water softening system. Chemicals from the water softener may damage the ice maker.

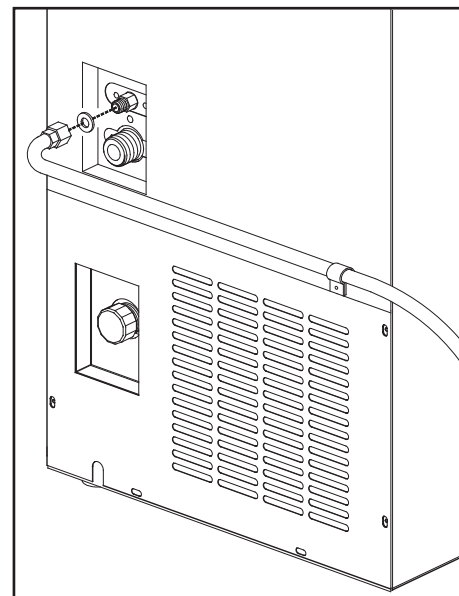
Ensure that the water supply line complies with all local plumbing codes.

### Required Tools

- Adjustable wrench
- Flat blade screwdriver
- A household cold water line with water pressure between 20 and 60 psi.
- A water supply hose made of 1/4 inch (6.4 mm) OD copper tubing. To determine the length of copper tubing needed, measure the distance from the ice maker inlet valve at the back of the appliance to the cold water supply, then add approximately 3 feet (0.9 meters) so that the ice maker can be moved out of the cabinet for cleaning.
- A shut off valve to connect the water supply line to the household water system. Do not use a self-piercing type of shut off valve.
- A compression nut and ferrule (sleeve) for connecting the water supply line to the ice maker inlet valve.
- A clamp and a number 8, 1/2" screw to secure the water line.

## Connecting the Water Supply

1. Ensure the ice maker is disconnected from the power supply.
2. Place the end of the house water supply line into a sink or bucket. Turn on the water supply and flush the supply line until the water is clear. Turn off the water supply at the shut off valve.
3. Remove the plastic cap from the water inlet valve on the back of the ice maker.
4. Slide the brass compression nut and the ferrule (sleeve) onto the water supply line.
5. Push the water supply line into the water valve inlet as far as it will go, approximately 1/4". Slide the ferrule (sleeve) into the water valve inlet and tighten compression nut onto the valve. Tighten another half turn with a wrench. Do not over tighten.
6. Secure the water line to the back of the appliance using the clamp and screw.
7. Coil approximately 3 feet of water supply line behind the ice maker and arrange the coils so that they do not vibrate or wear against any surface.
8. Turn on the water supply at the shut off valve and tighten any connections that leak.



# INSTALLATION INSTRUCTIONS

## DRAIN HOSE INSTALLATION

It is important to note that this appliance maintains temperatures slightly above freezing to ensure that the ice will break up into usable blocks when it falls into the bucket. This also means that the ice will melt over time if it is not used immediately. For this reason, one of the following three drain options must be selected.

- A - manual drain
- B - continuous drain
- C - drain pump

A braided drain hose is provided in the accessory bag. Ensure that the drain hose does not get kinked or bent during the installation process.

### Option A - Manual Drain

The manual drain method can be used if there is no appropriate drain in the room that the appliance can be connected to. When using this option, melted water will fill the ice bucket inside the appliance and must be manually removed. No drain hose is attached to the appliance.

The water level inside the ice maker will need to be periodically checked and then manually removed when it fills the ice bucket. Water can be removed by either removing the bucket from the appliance and emptying it into a sink or drain or by removing the drain cap and seal from the front of the bucket and allowing the water to drain into a second receptacle.

**Note:** The ice maker is refrigerated but it is not a freezer. Any ice that is created will eventually melt and fill the ice bucket with water. If there is no drain hose installed, the appliance must be regularly and manually drained to ensure that new ice will continue to be created.

When using the manual drain option, ensure that the drain pump switch on the back of the appliance is set to "OFF".

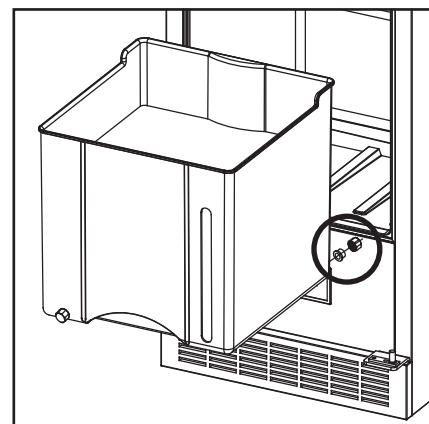
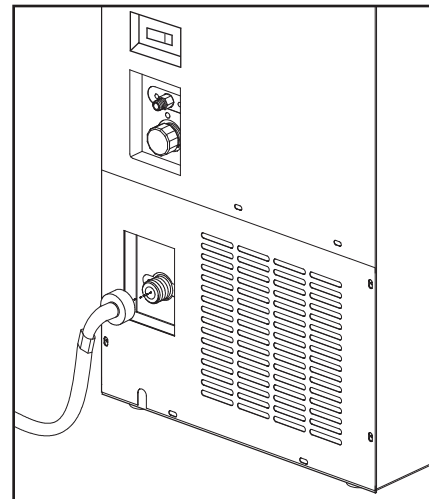
### Option B - Continuous Drain

In the continuous drain method, water will be removed from the appliance by means of gravity alone. This option is useful if there is a nearby drain in the floor.

1. Use the drain hose provided in the accessory bag.
2. Attach the drain hose to the continuous drain outlet near the bottom of the appliance.
3. Direct the other end of the drain hose to a floor drain.
4. Remove the rear drain seal and the rear drain cap from the back of the bucket to allow melted water from the bucket to flow into the internal water tank, which will then drain through the hose.

The drain hose must angle downward from the back of the appliance or water will back up into the appliance and may cause a leak.

When using the continuous drain option, ensure that the drain pump switch on the back of the appliance is set to "OFF".



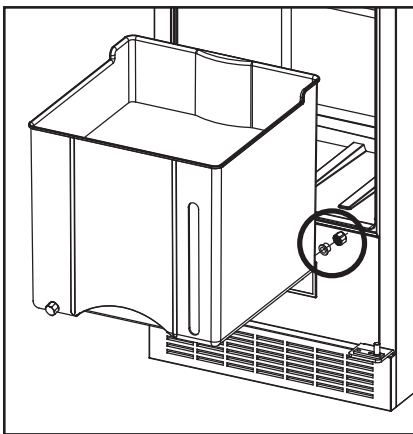
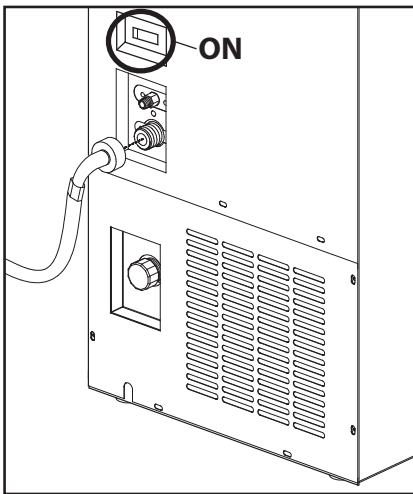
## INSTALLATION INSTRUCTIONS

### Option C - Drain Pump

Using the drain pump option is encouraged if there is no nearby floor drain that can be used. Using the pump allows the drain hose to be angled in any direction.

1. Use the drain hose provided in the accessory bag.
2. Attach the drain hose to the pump drain outlet on the back of the appliance.
3. Direct the other end of the drain hose to a drain.
4. Remove the rear drain seal and the rear drain cap from the back of the bucket to allow melted water from the bucket to flow into the internal water tank, which will then drain through the hose.

When using the continuous drain option, ensure that the drain pump switch on the back of the appliance is set to "ON".

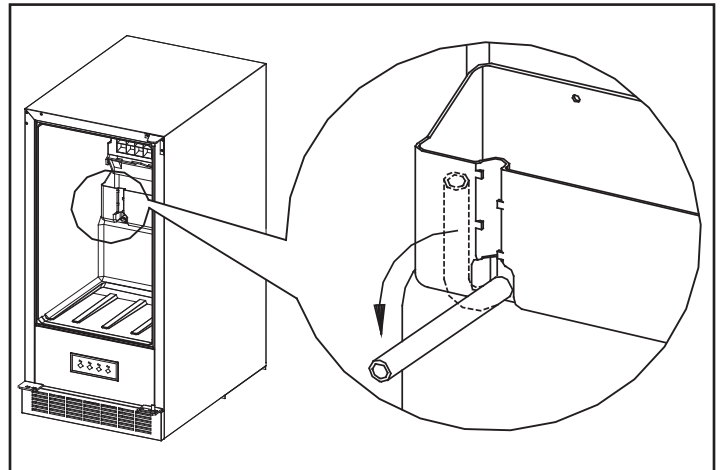


### DRAINING THE APPLIANCE

If the appliance will be cleaned or if it will not be used for a long period of time, it should be completely drained of all water.

Turn off the water supply and remove the ice bucket. On the inner back wall of the appliance there is a rubber tube connected to the interior water tank. Gently unhook the tube and lower it toward the drain port at the back of the ice maker cabinet to allow the water inside the appliance to drain.

**Note:** Do not leave the appliance unattended while it is draining. Water flow can overwhelm the drain and may leak from the front of the cabinet. It is advisable to slightly raise the front of the cabinet while draining to avoid this issue.



### CONTINUOUS WATER CIRCULATION

This appliance operates using a continuous water cycle that produces very little waste.

When the appliance is operating and the internal water container is low, new water is allowed into the appliance from the water source. The water tank fills up and the recirculation pump cycles water over the evaporator tray until ice is produced. This process is continuous as long as the appliance is turned on and the water source is connected.

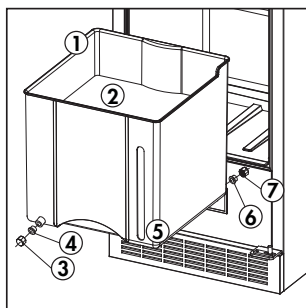
Any water that enters the drain at the bottom of the ice maker is not recycled, it is drained through the drain hose or is it collected in the ice bucket if no drain hose is connected. This ensures that new ice is always created with clean water.



# OPERATING INSTRUCTIONS

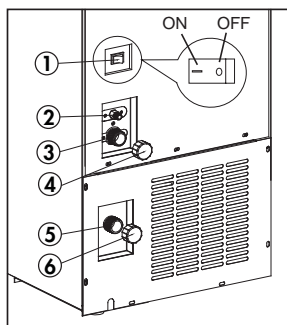
## FEATURES - FRONT

1. Ice bucket
2. Bottom board of ice bucket
3. Front drain cap
4. Front drain seal
5. Water level indicator
6. Rear drain seal
7. Rear drain cap



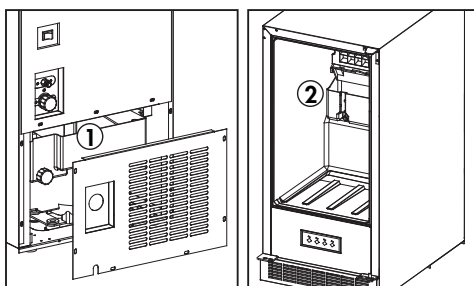
## FEATURES - REAR

1. Drain pump switch
2. Water inlet
3. Drain pump outlet
4. Drain pump cap
5. Direct drain outlet
6. Direct drain cap
7. Braided drain hose (not pictured)



## FEATURES - INTERNAL

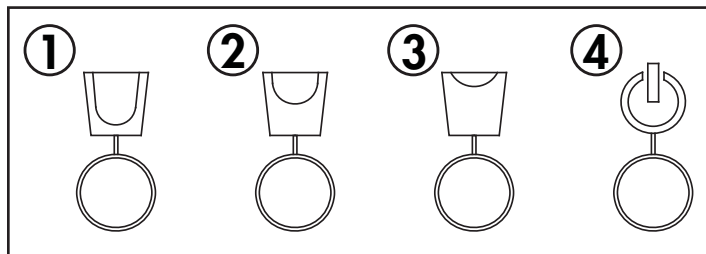
1. Continuous drain water tank
2. Internal water tank



## CONTROL PANEL

Ice cube sizes differ by density and not volume. A large ice cube is the same size as a small ice cube but contains more frozen water.

1. Small ice cube button
2. Medium ice cube button
3. Large ice cube button
4. Power button



The ice maker is automatically set to make medium ice. To change the size of the created ice, press the desired ice size button.

To stop making ice but to keep the appliance on standby, press and hold the power button for 3 seconds. The power indicator light will flash to indicate standby mode. Do not leave the appliance in standby mode for more than 6 hours. To resume making ice, press the power button again.

This appliance can produce up to 32 lbs. of ice daily. The ice bucket capacity is 25 lbs.

When new ice is created, remove it from the appliance and place it in a freezer for long term storage.

## WATER FILTER

It is highly recommended to use a water filter on the water source connected to this appliance. A water filter works to remove sediments such as dirt, rust and other debris that are not visible to the naked eye but which exist in all water sources. These contaminants can negatively effect the quality of the ice produced and can increase wear and tear on the appliance.

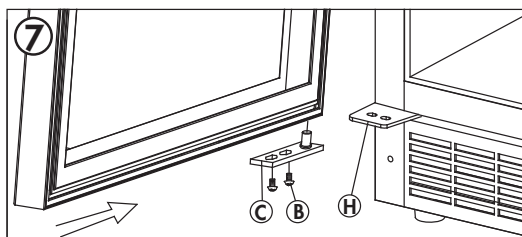
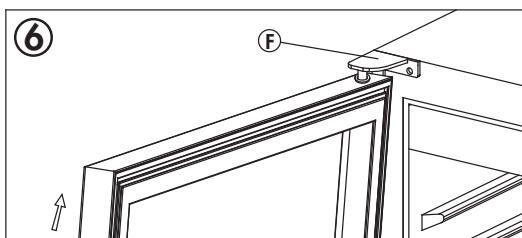
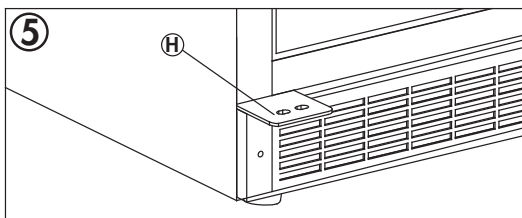
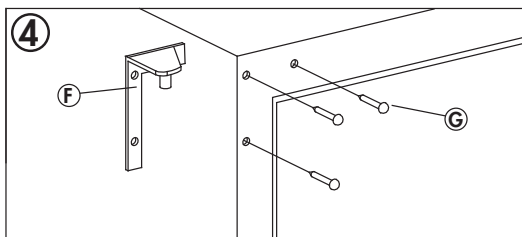
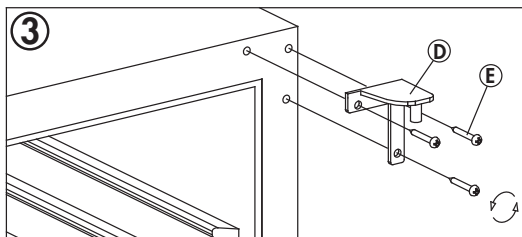
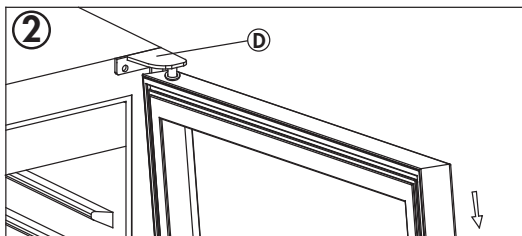
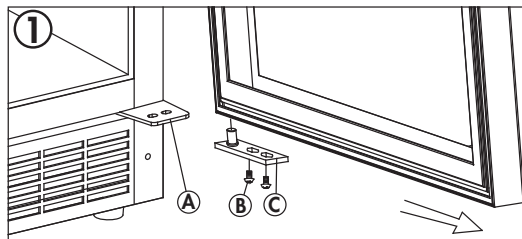
## OPERATING INSTRUCTIONS

### DOOR REVERSAL INSTRUCTIONS

If the appliance is placed on its back or side for any length of time during this process, it must be allowed to remain upright for 6 hours before plugging it in to avoid damage to the internal components.

1. Open the door to a 90° angle and remove two screws from the door axis.
2. Slide the bottom of the door outward to remove it from the cabinet.
3. Remove three screws from the top right hinge and remove the right top hinge.
4. Remove the screw hole covers from the top left of the cabinet and install the top left hinge at the top left of the cabinet with three screws. Block the holes at the top right of the cabinet with the screw hole covers.
5. The lower left hinge is pre-installed on the cabinet.
6. When reinstalling the door, it will need to be flipped 180° from its original position to ensure that the handle is on the correct side. Install the door by sliding it onto the top hinge pin.
7. Replace the door axis by placing the hinge pin in the bottom of the door and securing it to the bottom left hinge with two screws. Ensure the top of the door is properly aligned with the top of the cabinet and that the rubber gasket makes a good seal with the cabinet all the way around.

- |    |                    |
|----|--------------------|
| A. | Bottom Right Hinge |
| B. | Door Axis Screws   |
| C. | Door Axis          |
| D. | Top Right Hinge    |
| E. | Hinge Screws       |
| F. | Top Left Hinge     |
| G. | Screw Hole Cover   |
| H. | Bottom Left Hinge  |



## CARE & MAINTENANCE

### CLEANING CYCLE

The frequency of cleaning cycles will be determined by the amount of use and the hardness of the water supply.

1. Turn off the water supply to the appliance.
2. Wait for any remaining ice inside the appliance to melt from the evaporator into the bucket, then discard.
3. Turn the appliance off.
4. Completely drain the appliance of all water using the draining instructions.
5. Use a sterile brush to scrape or loosen any hard water build up on the internal water tank, the ice bucket, the cover board and the direction plate.
6. Fill the internal water tank with a cleaning solution that is equal parts water and vinegar.
7. Turn the water supply and the appliance back on.
8. Allow the appliance to make 6 or 7 batches of ice. Discard all of this ice.
9. Turn off the water supply and the appliance.
10. Completely drain the appliance of all water a second time using the draining instructions. This is done to remove any residual cleaning solution inside the water tank.
11. Turn the water supply and the appliance back on.
12. Allow the appliance to make 2 or 3 batches of ice. Discard all of this ice a second time to avoid any ice that may have residual cleaning solution.

To clean the inside of the appliance, use a soft cloth and a solution of a tablespoon of baking soda to one quart of water or some mild detergent.

Clean the outside with a soft, damp cloth and some mild detergent.

**Note:** Do not use cleaners containing ammonia or alcohol on the appliance. Ammonia or alcohol can damage the appearance of the appliance. Never use any commercial or abrasive cleaners or sharp objects on any part of the appliance.

### POWER FAILURE

In the event of a power failure, the drain may not operate. If the power is out for an extended period of time, this could result in water leakage and floor damage due to melting ice.

It is strongly recommended that if the appliance will not be used or will be left unattended for more than 48 hours, it should be drained of water and turned off to avoid possible water leakage due to a power failure.

### MOVING

- Ensure that all water is drained.
- Turn the adjustable leg up to the base to avoid damage.
- Tape the door shut.
- Be sure the appliance stays in the upright position during transportation.
- Protect the outside of the appliance with a blanket or similar item.
- If the appliance is placed on its back or side during transportation, upon reaching the destination, allow it to remain upright for 6 hours before plugging in to avoid damage to the internal components.

### DISPOSAL

This appliance may not be treated as regular household waste, it should be taken to the appropriate waste collection point for recycling of electrical components. For information on local waste collection points, contact your local waste removal agency or government office.

## TROUBLESHOOTING

Silhouette Consumer Care: 1-844-455-6097




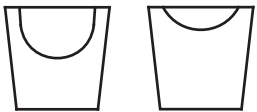


### Hours of operation:

Monday to Thursday 8:30 am - 6:00 pm Eastern Standard Time

Friday 8:30 am - 4:00 pm Eastern Standard Time

Information in this manual is subject to change without notice.

PROBLEM	POSSIBLE CAUSE
No power	<ul style="list-style-type: none"> <li>A fuse may be blown or the circuit breaker tripped</li> <li>Plug not fully inserted into the wall outlet</li> </ul>
The ice is not big enough or melts too quickly	<ul style="list-style-type: none"> <li>Door is not shut properly or opened excessively</li> <li>Close proximity to heat source or direct sunlight</li> <li>Ambient temperature or humidity is very high</li> <li>Chosen ice size setting is too small</li> </ul>
Water leakage	<ul style="list-style-type: none"> <li>The water inlet connection is leaking</li> <li>The drain hose connection is leaking</li> <li>The drain caps on the ice bucket are not completely closed</li> </ul>
Excessive noise or vibrations	<ul style="list-style-type: none"> <li>The appliance is not level</li> </ul>
Ice maker alarm is sounding	<ul style="list-style-type: none"> <li>Internal water tank is full</li> <li>Not enough water entering the appliance from the water inlet</li> </ul>

INDICATOR LIGHT	DESCRIPTION	POSSIBLE CAUSE
	<ol style="list-style-type: none"> <li>Flashing</li> <li>On</li> <li>Off</li> </ol>	<ol style="list-style-type: none"> <li>Stand by mode</li> <li>Appliance is on</li> <li>Appliance is off</li> </ol>
	Flashing and beeping	Water tank is full; drain appliance of excess water or ensure that the drain pump is turned on to resume normal functioning
	Flashing	Ice bucket is full of ice; remove excess ice to resume normal functioning
	Flashing	Sensor failure; contact an authorized service technician
	Flashing	Appliance is low on water; check that the water supply is functioning normally
	Flashing	Sensor failure; contact an authorized service technician

*Silhouette*

## LIMITED "IN HOME" WARRANTY

This quality product is warranted to be free from manufacturer's defects in material and workmanship, provided that the unit is used under the normal operating conditions intended by the manufacturer.

This warranty is available only to the person to whom the unit was originally sold by Danby Products Limited (Canada) or Danby Products Inc. (U.S.A.) (hereafter "Danby") or by an authorized distributor of Danby, and is non-transferable.

### TERMS OF WARRANTY

Plastic parts are warranted for thirty (30) days from the date of purchase, with no extensions provided.

**First 24 months** During the first **twenty four (24) months**, any functional parts of this product found to be defective, will be repaired or replaced, at warrantor's option, at no charge to the original purchaser.

**To obtain service** Contact the dealer where the unit was purchased, or contact the nearest authorized Danby service depot, where service must be performed by a qualified service technician. If service is performed on the unit by anyone other than an authorized service depot, all obligations of Danby under this warranty shall be void.

**Boundaries of in-home service** Danby reserves the right to limit the boundaries of "In Home Service" to the proximity of an authorized service depot. Any appliance requiring service outside the limited boundaries of "In Home Service", will be the consumer's responsibility to transport at their own expense to the original point of purchase or a service depot for repair. If the appliance is installed in a location that is **100 kilometers (62 miles)** or more from the nearest service center, it must be delivered to the nearest authorized Danby Service Depot by the purchaser.

Transportation charges to and from the service location are not protected by this warranty and are the responsibility of the purchaser.

Nothing within this warranty shall imply that Danby will be responsible or liable for any spoilage or damage to food or other contents of this appliance, whether due to any defect of the appliance, or its use, whether proper or improper.

### EXCLUSIONS

Save as herein provided, by Danby, there are no other warranties, conditions, representations or guarantees, express or implied, made or intended by Danby or its authorized distributors and all other warranties, conditions, representations or guarantees, including any warranties, conditions, representations or guarantees under any Sale of Goods Act or like legislation or statute is hereby expressly excluded. Save as herein provided, **Danby shall not be responsible for any damages to persons or property, including the unit itself, howsoever caused or any consequential damages arising from the malfunction of the unit and by the purchase of the unit, the purchaser does hereby agree to indemnify and hold harmless Danby from any claim for damages to persons or property caused by the unit.**

### GENERAL PROVISIONS

No warranty or insurance herein contained or set out shall apply when damage or repair is caused by any of the following:

- 1) Power failure.
- 2) Damage in transit or when moving the appliance.
- 3) Improper power supply such as low voltage, defective house wiring or inadequate fuses.
- 4) Accident, alteration, abuse or misuse of the appliance such as inadequate air circulation in the room or abnormal operating conditions (ie. extremely high or low room temperature).
- 5) Use for commercial or industrial purposes (ie. If the appliance is not installed in a domestic residence).
- 6) Fire, water damage, theft, war, riot, hostility, acts of God such as hurricanes, floods etc.
- 7) Service calls resulting in customer education.
- 8) Improper Installation (ie. Building-in of a free standing appliance or using an appliance outdoors that is not approved for outdoor application, including but not limited to: garages, patios, porches or anywhere that is not properly insulated or climate controlled).

Proof of purchase date will be required for warranty claims; retain bills of sale. In the event that warranty service is required, present the proof of purchase to our authorized service depot.

**Warranty Service  
In Home**

Danby Products Limited  
PO Box 1778, Guelph, Ontario, Canada N1H 6Z9  
Telephone: (519) 837-0920 FAX: (519) 837-0449

**1-844-455-6097  
04/17**

Danby Products Inc.  
PO Box 669, Findlay, Ohio, U.S.A. 45840  
Telephone: (419) 425-8627 FAX: (419) 425-8629

# Bienvenue

Bienvenue à la famille Silhouette. Nous sommes fiers de la qualité de nos produits et nous croyons en le service fiable. Nous vous suggérons de lire ce manuel d'utilisation avant de brancher votre nouvel appareil car il contient des informations importantes sur l'utilisation, la sécurité, le dépannage et la maintenance, afin d'assurer la fiabilité et la longévité de votre appareil.

Visitez [www.SilhouetteAppliances.com](http://www.SilhouetteAppliances.com) pour accéder aux outils d'autoservice, aux FAQ et bien plus encore. Pour obtenir de l'aide supplémentaire, composez **1-844-455-6097**.

**Notez les informations ci-dessous; Vous aurez besoin de cette information pour obtenir un service sous garantie.**

**Vous devez fournir le reçu d'achat original pour valider votre garantie et recevoir le service.**

**Numéro de modèle:** \_\_\_\_\_

**Numéro de serie:** \_\_\_\_\_

**Date d'achat:** \_\_\_\_\_

## Besoin d'assistance?

Avant d'appeler pour service, voici quelques choses que vous pouvez faire pour nous aider à mieux vous servir.

### **Lire ce manuel du propriétaire:**

Il contient des instructions pour vous aider à utiliser et à maintenir votre appareil correctement.

### **Si vous recevez un appareil endommagé:**

Contactez immédiatement le revendeur ou l'entrepreneur qui vous a vendu l'appareil.

### **Gagnez du temps et de l'argent:**

Avant d'appeler pour service, consultez la section de dépannage à la fin de ce manuel. Cette section vous aidera à résoudre les problèmes courants pouvant survenir.



1-844-455-6097



## Consignes de sécurité importantes

### LIRE ET SUIVRE TOUTES LES INSTRUCTIONS DE SÉCURITÉ

#### EXIGENCES DE SÉCURITÉ

**DANGER** : Risque d'incendie ou d'explosion.  
Liquide frigorigène inflammable utilisé. Ne pas percer les tubes de réfrigérant.

- N'utilisez pas de dispositifs mécaniques pour dégivrer le réfrigérateur.
- Assurez-vous que l'entretien est effectué par le personnel de service autorisé en usine, afin de minimiser les dommages sur les produits ou les questions de sécurité.

**AVERTISSEMENT** : Garder les ouvertures de ventilation, dans l'enceinte de l'appareil ou dans la structure intégrée, sans obstruction.

**AVERTISSEMENT** : N'utilisez pas de dispositifs mécaniques ou d'autres moyens pour accélérer le processus de dégivrage, autres que ceux recommandés par le fabricant.

**AVERTISSEMENT** : Ne pas endommager le circuit de réfrigérant.

**AVERTISSEMENT** : N'utilisez pas d'appareils électriques à l'intérieur des compartiments de stockage d'aliments de l'appareil, à moins qu'ils ne soient du type recommandé par le fabricant.

**ATTENTION** : Risque d'incendie ou d'explosion.  
Liquide frigorigène inflammable utilisé.

- Consultez le manuel de réparation ou le guide du propriétaire avant d'essayer de réparer ce produit. Toutes les précautions de sécurité doivent être respectées.
- Éliminer conformément aux règlements fédéraux ou locaux.
- Suivez attentivement les instructions de manutention.

**ATTENTION** : Les enfants devraient être surveillés pour s'assurer qu'ils ne jouent pas avec l'appareil.

**DANGER** : Risque de piégeage des enfants. Avant de jeter un ancien appareil :

- Retirez la porte ou le couvercle.
- Laissez les étagères en place afin que les enfants ne puissent pas facilement monter à l'intérieur.

**AVERTISSEMENT**: Remplir d'eau potable seulement.

#### EXIGENCES DE SÉCURITÉ

Cet appareil n'est pas destiné à être utilisé par des personnes (y compris des enfants) dont les capacités physiques, sensorielles ou mentales peuvent être différentes ou réduites, ou qui n'ont pas d'expérience ou de connaissances, à moins que ces personnes ne reçoivent de supervision ou de formation pour faire fonctionner l'appareil par une personne responsable de leur sécurité.

#### INSTRUCTIONS DE MISE À LA TERRE

Cet appareil doit être mis à la terre. La mise à la terre réduit le risque de choc électrique en fournissant un fil d'échappement pour le courant électrique.

Cet appareil possède un cordon doté d'un fil de mise à la terre avec une fiche à 3 broches. Le cordon d'alimentation doit être branché sur une prise correctement mise à la terre. Si la sortie est une prise murale à 2 broches, elle doit être remplacée par une prise murale à 3 broches correctement mise à la terre. La plaque signalétique en série indique la tension et la fréquence auxquelles l'appareil est conçu.

**AVERTISSEMENT** - Une utilisation incorrecte de la fiche de mise à la terre peut entraîner un risque d'électrocution. Consultez un électricien qualifié ou un agent de service si les instructions de mise à la terre ne sont pas complètement comprises ou s'il existe un doute quant à savoir si l'appareil est correctement mis à la terre.

**Ne branchez pas votre appareil à des rallonges ou avec un autre appareil dans la même prise murale.** Ne pas épisser le cordon d'alimentation. Ne coupez ou retirez en aucun cas la troisième broche du cordon d'alimentation. N'utilisez pas de cordons de prolongement ou d'adaptateurs sans mise à la terre (deux broches).

Si le cordon d'alimentation est endommagé, il doit être remplacé par le fabricant, son agent de service ou une personne qualifiée similaire afin d'éviter tout risque.

**GARDEZ CES INSTRUCTIONS!**

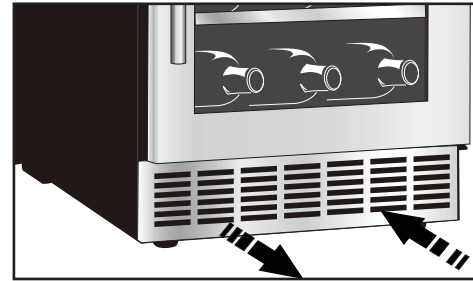
# INSTRUCTIONS D'INSTALLATION

## EMPLACEMENT

- Deux personnes doivent être utilisées pour déplacer l'appareil.
- Retirer l'emballage intérieur et extérieur avant l'installation. Essuyez l'extérieur de l'appareil avec un chiffon doux et sec et à l'intérieur avec un chiffon humide tiède.
- Placez votre appareil sur un plancher qui est assez fort pour le soutenir quand il est complètement chargé.
- Ne placez pas l'appareil directement dans la lumière du soleil ou à proximité de sources de chaleur, comme un poêle ou un réchauffeur, car cela peut augmenter la consommation électrique. Des températures ambiantes extrêmes et froides peuvent également provoquer un dysfonctionnement de l'appareil.
- Cet appareil est destiné à un usage domestique seulement. Cette unité n'est pas conçue pour une installation extérieure, y compris une installation où la température n'est pas contrôlée (garages, porches, carports, etc.).
- Avant de brancher l'appareil à une source d'alimentation, laissez-le debout pendant environ 6 heures; Ceci réduira la possibilité d'un dysfonctionnement dans le système de refroidissement de la manipulation pendant le transport.
- Cet appareil est 15 pouces (38 cm) de large par 34,3 pouces (87 cm) de haut par 24,2 pouces (61,4 cm) de profondeur.
- La machine à glaçons doit être placée dans une zone où la température ambiante est comprise entre 12 °C et 35 °C (54 °F et 95 °F). Si la température ambiante est supérieure ou inférieure à cette plage, les performances de l'appareil peuvent être affectées.

## ÉVACUATION AVANT

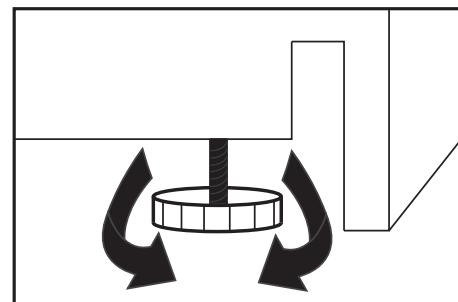
Cet appareil est une respiration avant. Ne bloquez pas l'évent avant car cela entraînera des températures de fonctionnement élevées, une consommation d'énergie plus élevée et une éventuelle surchauffe et une panne du système.



## INSTRUCTIONS DE NIVEAU

Il y a une patte réglable au bas de l'appareil qui peut être montée ou baissée pour s'assurer que l'appareil est au niveau. Il est important que l'appareil soit à niveau pour minimiser les bruits et les vibrations. Pour niveler l'appareil:

1. Déplacez l'appareil vers son emplacement final.
2. Tournez la jambe de nivellement dans le sens inverse des aiguilles d'une montre aussi loin que possible, jusqu'à ce que le haut du pied touche le bas du châssis.
3. Tournez lentement la jambe de nivellement dans le sens des aiguilles d'une montre jusqu'à ce que l'appareil soit à niveau.





# INSTRUCTIONS D'INSTALLATION

## PRÉPARER L'ENCEINTE

En faire les installations décrites dans cette section, des gants, les lunettes de sécurité devraient être portés.

Il n'est pas recommandé d'installer l'appareil dans un coin ou directement à côté d'un mur. La porte devra être ouverte à plus de 90° pour permettre l'enlèvement du seau à glace. S'il est nécessaire de placer l'unité à côté d'un mur ou dans un coin, laissez au moins 5 à 10 cm (2-4 pouces) d'espace entre le mur et l'appareil pour permettre l'ouverture de la porte.

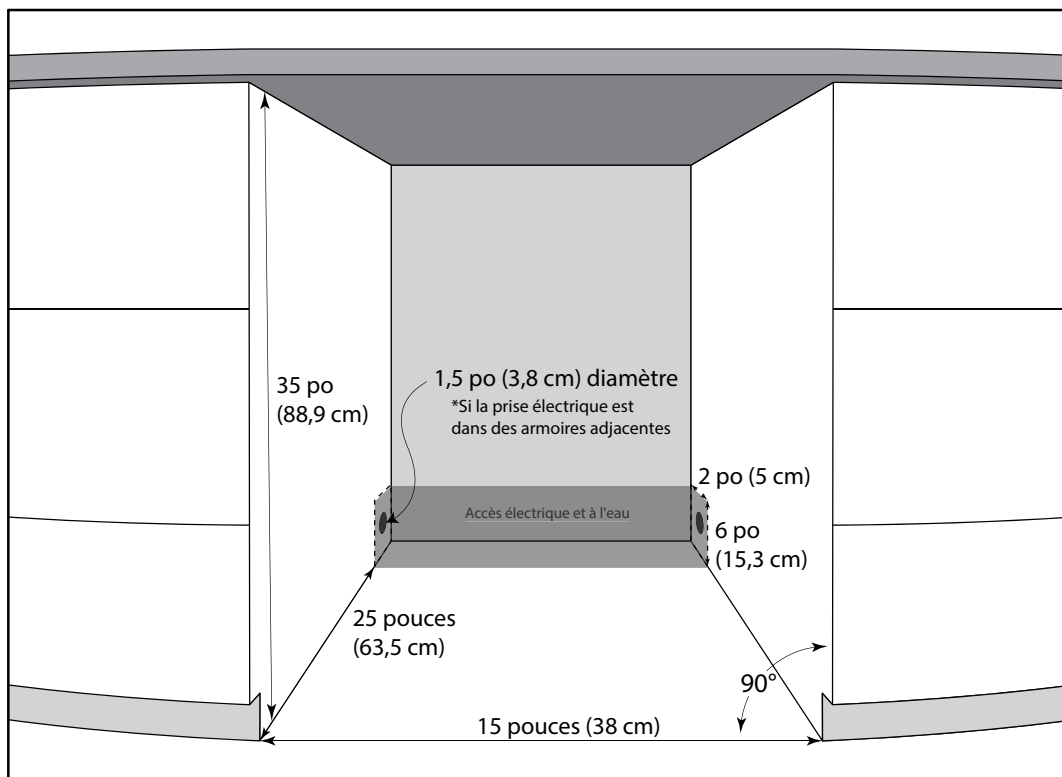
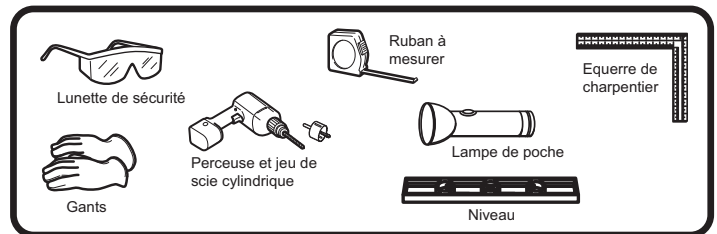
L'ouverture de l'armoire doit mesurer au moins 38 cm (15 po) de largeur sur 88,9 cm (35 po) de hauteur et 63,5 cm (25 po) de profondeur.

**Remarque:** Les exigences de profondeur indiquées supposent que la prise électrique et l'alimentation en eau sont situées dans l'armoire adjacente ou encastrées dans la paroi arrière, et non en surface à l'intérieur de l'armoire.

Si la prise électrique et l'alimentation en eau sont situées à l'intérieur des armoires adjacentes, coupez un trou de 1,5 pouce (3,8 cm) de diamètre pour admettre le cordon d'alimentation et le tuyau d'arrivée d'eau. Si la paroi de l'armoire est en métal, le bord du trou doit être recouvert d'une douille ou d'un passe-fil.

## OUTILS REQUIS

- Lunette de sécurité
- Gants
- Ruban à mesurer
- Equerre de charpentier
- Niveau
- Lampe de poche
- Perceuse et jeu de scie cylindrique



## INSTRUCTIONS D'INSTALLATION

### INSTALLATION DE TUYAU D'ENTRÉE D'EAU

#### ATTENTION

Pour éviter tout choc électrique pouvant entraîner la mort ou des blessures graves, assurez-vous que la machine à glaçons n'est pas branchée avant de raccorder la conduite d'alimentation en eau.

Les tuyaux en plastique ne sont pas recommandés pour le tuyau d'arrivée, car ils augmentent considérablement le risque de fuites d'eau. Le fabricant ne sera pas responsable de tout dommage si des tuyaux en plastique sont utilisés pour la conduite d'alimentation en eau.

N'installez pas de tuyauterie d'alimentation en eau dans les zones où les températures sont inférieures au point de congélation.

Assurez-vous que la machine à glaçons est raccordée à une source d'eau potable qui n'est pas liée à un système d'adoucissement de l'eau. Les produits chimiques provenant de l'adoucisseur d'eau peuvent endommager la machine à glaçons.

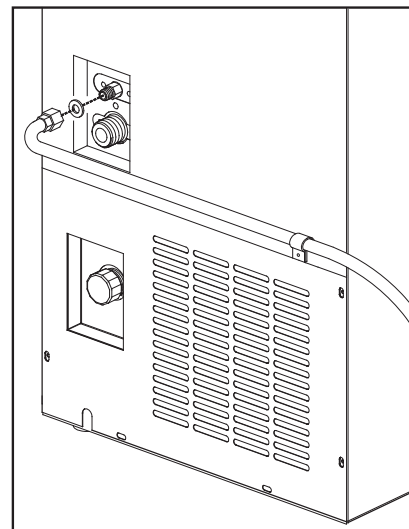
Assurez-vous que la conduite d'alimentation en eau est conforme à tous les codes de plomberie locaux.

#### Outils requis

- Clé à molette
- Tournevis à lame plate
- Une ligne d'eau froide domestique avec une pression d'eau comprise entre 20 et 60 psi.
- Un tuyau d'alimentation en eau fait de tubes en cuivre de 6,4 mm (1/4 po) de diamètre extérieur. Pour déterminer la longueur de tuyauterie en cuivre nécessaire, mesurez la distance entre la vanne d'entrée de la machine à glaçons située à l'arrière de l'appareil et l'alimentation en eau froide, puis ajoutez environ 3 pieds (0,9 mètre) afin de pouvoir sortir la machine à glaçons. armoire pour le nettoyage.
- Une vanne d'arrêt pour connecter la ligne d'alimentation en eau au système d'eau domestique. Ne pas utiliser un robinet d'arrêt auto-perçant.
- Un écrou de compression et une virole (manchon) pour raccorder la conduite d'alimentation en eau à la soupape d'admission de la machine à glaçons.
- Une pince et une vis numéro 8, 1/2" pour sécuriser la ligne d'eau.

### Connexion de l'approvisionnement en eau

1. Assurez-vous que la machine à glaçons est déconnectée de l'alimentation électrique.
2. Placez l'extrémité de la ligne d'alimentation en eau de la maison dans un évier ou un seau. Ouvrez l'alimentation en eau et rincez la conduite d'alimentation jusqu'à ce que l'eau soit claire. Éteignez l'alimentation en eau à la vanne d'arrêt.
3. Retirez le capuchon en plastique de la vanne d'entrée d'eau à l'arrière de la machine à glaçons.
4. Faites glisser l'écrou de compression en laiton et la bague (manchon) sur la conduite d'alimentation en eau.
5. Poussez la conduite d'alimentation en eau dans l'entrée de la vanne d'eau aussi loin que possible, environ 1/4 ". Faites glisser la bague (manchon) dans l'entrée de la vanne d'eau et serrez l'écrou de compression sur la vanne. Serrer un autre demi-tour avec une clé. Ne pas trop serrer.
6. Fixez la conduite d'eau à l'arrière de l'appareil à l'aide de la pince et de la vis.
7. Enrouler environ 3 pieds de la conduite d'alimentation en eau derrière la machine à glaçons et disposer les serpentins de sorte qu'ils ne vibrent pas ou ne s'usent pas contre toute surface.
8. Ouvrez l'arrivée d'eau à la vanne d'arrêt et serrez les raccords qui fuient.



## INSTRUCTIONS D'INSTALLATION

### INSTALLATION DU TUYAU DE VIDANGE

Il est important de noter que cet appareil maintient les températures légèrement au-dessus du point de congélation pour que la glace se brise en blocs utilisables lorsqu'elle tombe dans le seau. Cela signifie également que la glace fondra avec le temps si elle n'est pas utilisée immédiatement. Pour cette raison, l'une des trois options de vidange suivantes doit être sélectionnée.

- A - vidange manuelle
- B - drain continu
- C - pompe de vidange

Un tuyau de vidange tressé est fourni dans le sac d'accessoires. Assurez-vous que le tuyau de vidange ne soit pas plié ou courbé pendant le processus d'installation.

#### Option A - Drain manuel

La méthode de vidange manuelle peut être utilisée s'il n'y a pas de drain approprié dans la pièce à laquelle l'appareil peut être connecté. Lorsque vous utilisez cette option, l'eau fondue remplira le seau à glace à l'intérieur de l'appareil et doit être retirée manuellement. Aucun tuyau de vidange n'est fixé à l'appareil.

Le niveau d'eau à l'intérieur de la machine à glaçons doit être vérifié périodiquement, puis retiré manuellement lorsqu'il remplit le seau à glace. L'eau peut être enlevée en enlevant le seau de l'appareil et en le vidant dans un évier ou un drain ou en enlevant le bouchon de vidange et le joint de l'avant du seau et en permettant à l'eau de s'écouler dans un deuxième réceptacle.

**Note:** La machine à glaçons est réfrigérée mais ce n'est pas un congélateur. Toute glace qui est créée finira par fondre et remplir le seau à glace avec de l'eau. Si aucun tuyau de vidange n'est installé, l'appareil doit être vidangé régulièrement et manuellement pour s'assurer que de la glace fraîche continuera à être créée.

Lorsque vous utilisez l'option de vidange manuelle, assurez-vous que l'interrupteur de la pompe de vidange à l'arrière de l'appareil est réglé sur «OFF».

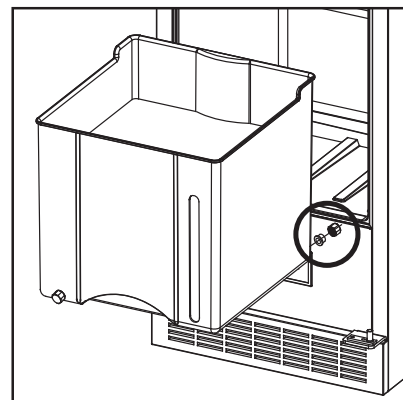
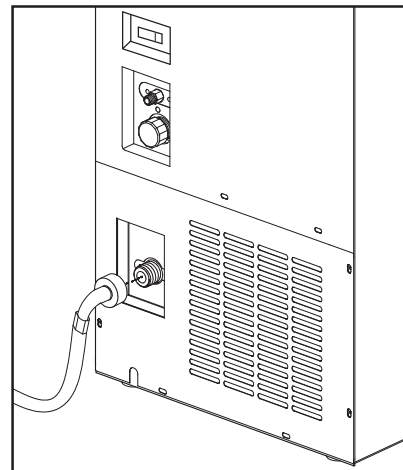
#### Option B - Drain continu

Dans la méthode de vidange continue, l'eau sera retirée de l'appareil uniquement par gravité. Cette option est utile s'il y a un drain à proximité dans le sol.

1. Utilisez le tuyau de vidange fourni dans le sac d'accessoires.
2. Fixez le tuyau de vidange à la sortie de vidange continue près du bas de l'appareil.
3. Dirigez l'autre extrémité du tuyau de vidange vers un drain de plancher.
4. Retirez le joint de vidange arrière et le bouchon de vidange arrière à l'arrière du godet pour permettre à l'eau fondue du godet de s'écouler dans le réservoir d'eau interne, qui s'écoulera ensuite à travers le tuyau.

Le tuyau de vidange doit être incliné vers le bas à partir de l'arrière de l'appareil, sinon de l'eau remonterait dans l'appareil et pourrait causer une fuite.

Lorsque vous utilisez l'option de vidange continue, assurez-vous que l'interrupteur de la pompe de vidange à l'arrière de l'appareil est réglé sur «OFF».



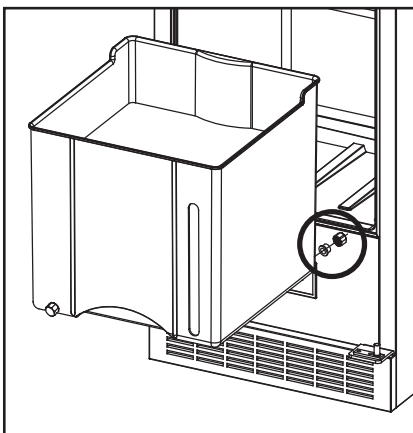
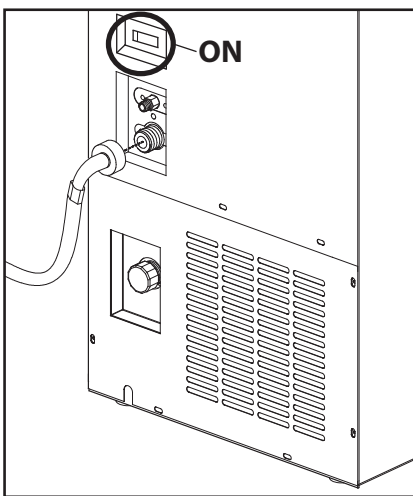
## INSTRUCTIONS D'INSTALLATION

### Option C - Pompe de vidange

L'utilisation de l'option de pompe de vidange est recommandée s'il n'y a pas de siphon de sol à proximité pouvant être utilisé. L'utilisation de la pompe permet d'incliner le tuyau de vidange dans n'importe quelle direction.

Utilisez le tuyau de vidange fourni dans le sac d'accessoires.  
Fixez le tuyau de vidange à la sortie de vidange de la pompe à l'arrière de l'appareil.  
Dirigez l'autre extrémité du tuyau de vidange vers un drain.  
Retirez le joint de vidange arrière et le bouchon de vidange arrière à l'arrière du godet pour permettre à l'eau fondue du godet de s'écouler dans le réservoir d'eau interne, qui s'écoulera ensuite à travers le tuyau.

Lorsque vous utilisez l'option de vidange continue, assurez-vous que l'interrupteur de la pompe de vidange à l'arrière de l'appareil est réglé sur «ON».

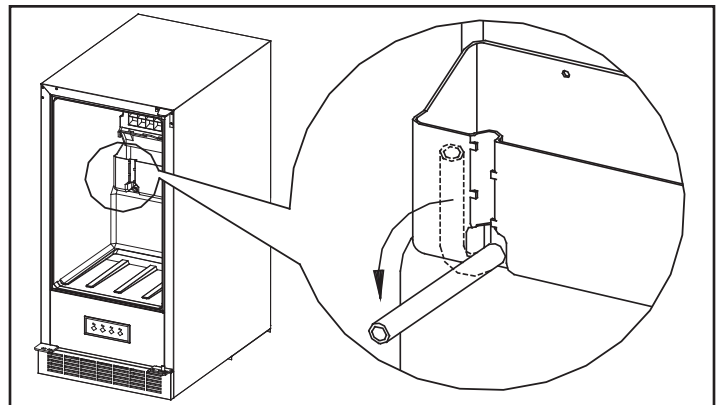


### VIDANGE DE L'APPAREIL

Si l'appareil doit être nettoyé ou s'il ne sera pas utilisé pendant une longue période, il doit être complètement vidé de toute l'eau.

Fermez l'alimentation en eau et retirez le seau à glace. Sur la paroi arrière intérieure de l'appareil, un tube en caoutchouc est raccordé au réservoir d'eau interne. Décrochez doucement le tube et abaissez-le vers l'orifice de vidange à l'arrière de l'armoire de la machine à glaçons pour permettre à l'eau à l'intérieur de l'appareil de s'écouler.

**Remarque:** Ne laissez pas l'appareil sans surveillance pendant qu'il se vide. Le débit d'eau peut submerger le drain et peut fuir du devant de l'armoire. Il est conseillé de soulever légèrement l'avant de l'armoire pendant la vidange pour éviter ce problème.



### CIRCULATION D'EAU CONTINUE

Cet appareil fonctionne en utilisant un cycle d'eau continu qui produit très peu de déchets.

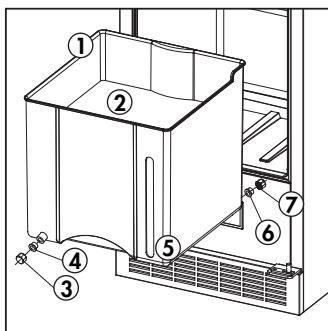
Lorsque l'appareil fonctionne et que le réservoir d'eau interne est bas, de l'eau neuve est autorisée dans l'appareil à partir de la source d'eau. Le réservoir d'eau se remplit et la pompe de recirculation fait circuler l'eau sur le plateau de l'évaporateur jusqu'à ce que de la glace soit produite. Ce processus est continu tant que l'appareil est allumé et que la source d'eau est connectée.

Toute l'eau qui entre dans le drain au fond de la machine à glaçons n'est pas recyclée, elle est drainée par le tuyau de vidange ou est-elle recueillie dans le seau à glace si aucun tuyau de vidange n'est raccordé. Cela garantit que la nouvelle glace est toujours créée avec de l'eau propre.

## CONSIGNES D'UTILISATION

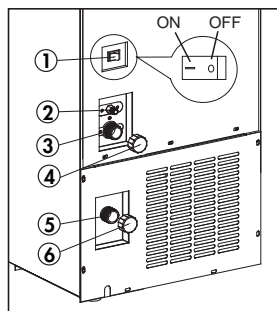
### CARACTÉRISTIQUES - AVANT

1. Seau à glace
2. Plateau inférieur du seau à glace
3. Bouchon de vidange avant
4. Joint de vidange avant
5. Indicateur de niveau d'eau
6. Joint de vidange arrière
7. Bouchon de vidange arrière



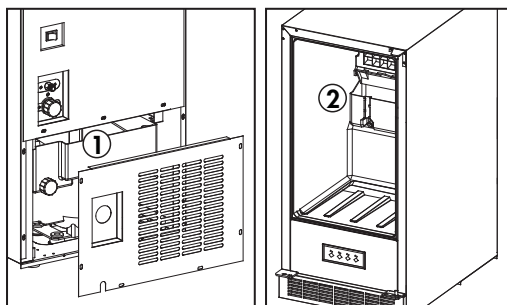
### CARACTÉRISTIQUES - ARRIÈRE

1. Interrupteur de pompe de vidange
2. Entrée d'eau
3. Sortie de la pompe de vidange
4. Bouchon de pompe de vidange
5. Sortie de vidange directe
6. Bouchon de vidange direct
7. Flexible de drainage tressé (non illustré)



### CARACTÉRISTIQUES - INTERNE

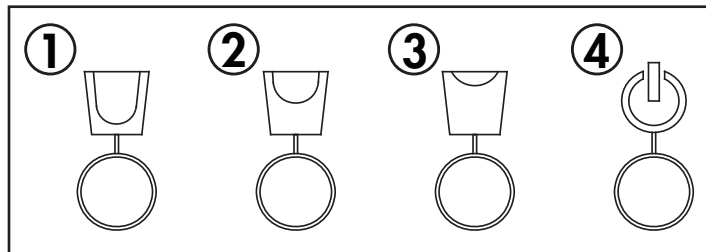
1. Réservoir d'eau de vidange continu
2. Réservoir d'eau interne



### PANNEAU DE CONTRÔLE

Les tailles de glaçons diffèrent par la densité et non par le volume. Un gros cube de glace a la même taille qu'un petit cube de glace mais contient plus d'eau gelée.

1. Bouton pour petits glaçons
2. Bouton pour glaçons moyens
3. Bouton pour gros cubes de glace
4. Bouton d'alimentation



La machine à glaçons est automatiquement réglée pour faire de la glace moyenne. Pour changer la taille de la glace créée, appuyez sur le bouton de taille de glace désiré.

Pour arrêter de faire de la glace mais de garder l'appareil en veille, appuyez et maintenez le bouton d'alimentation pendant 3 secondes. Le voyant d'alimentation clignote pour indiquer le mode veille. Ne laissez pas l'appareil en mode veille pendant plus de 6 heures. Pour recommencer à faire de la glace, appuyez à nouveau sur le bouton d'alimentation.

Cet appareil peut produire jusqu'à 32 lb. de glace tous les jours. La capacité du seau à glace est de 25 lb.

Lorsque de la nouvelle glace est créée, retirez-la de l'appareil et placez-la dans un congélateur pour un stockage à long terme.

### FILTRE À EAU

Il est fortement recommandé d'utiliser un filtre à eau sur la source d'eau raccordée à cet appareil. Un filtre à eau fonctionne pour éliminer les sédiments tels que la saleté, la rouille et autres débris qui ne sont pas visibles à l'œil nu mais qui existent dans toutes les sources d'eau. Ces contaminants peuvent affecter négativement la qualité de la glace produite et peuvent augmenter l'usure de l'appareil.

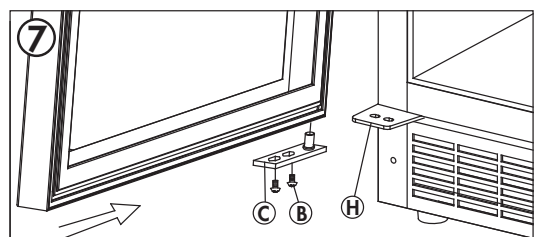
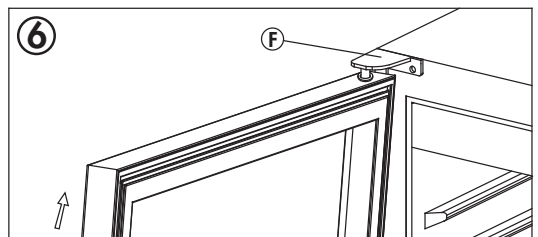
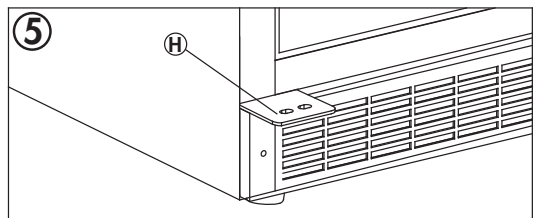
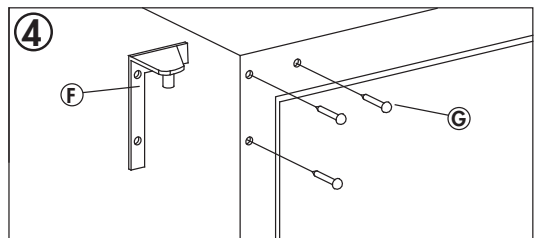
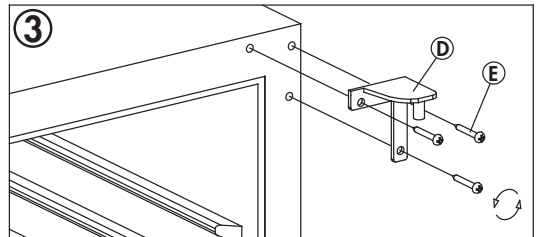
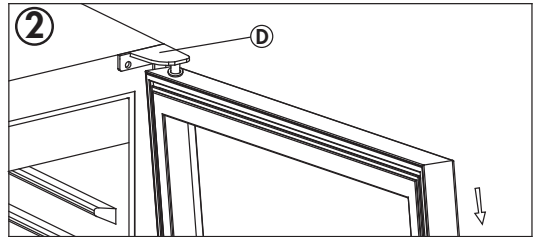
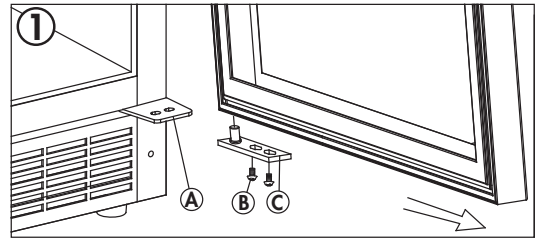
## CONSIGNES D'UTILISATION

### INSTRUCTIONS D'INVERSION DE PORTE

Si l'appareil est placé à l'arrière ou au côté pendant un certain temps pendant ce processus, il doit pouvoir rester debout pendant 6 heures avant de le brancher pour éviter d'endommager les composants internes.

1. Ouvrez la porte à un angle de 90 ° et retirez les deux vis de l'axe de la porte.
2. Faites glisser le bas de la porte vers l'extérieur pour l'enlever de l'armoire.
3. Retirez les trois vis de la charnière supérieure droite et retirez la charnière supérieure droite.
4. Retirez les couvercles des trous de vis en haut à gauche de l'armoire et installez la charnière supérieure gauche en haut à gauche de l'armoire à l'aide de trois vis. Bloquer les trous en haut à droite de l'armoire avec les couvercles des trous de vis.
5. La charnière inférieure gauche est pré-installée sur le meuble.
6. Lors de la réinstallation de la porte, elle doit être retournée à 180° de sa position d'origine pour s'assurer que la poignée est du bon côté. Installez la porte en la faisant glisser sur l'axe de charnière supérieur.
7. Remplacer l'axe de la porte en plaçant l'axe de charnière dans le bas de la porte et en le fixant à la charnière inférieure gauche avec deux vis. Assurez-vous que le haut de la porte est correctement aligné avec le haut de l'armoire et que le joint en caoutchouc assure une bonne étanchéité avec l'armoire tout autour.

- |    |                             |
|----|-----------------------------|
| A. | Charnière inférieure droite |
| B. | Vis à axe de porte          |
| C. | Axe de la porte             |
| D. | Haut charnière droite       |
| E. | Vis à charnière             |
| F. | Charnière supérieure gauche |
| G. | Couvercle de vis            |
| H. | Charnière inférieure        |



### CYCLE DE NETTOYAGE

La fréquence des cycles de nettoyage sera déterminée par la quantité d'utilisation et la dureté de l'alimentation en eau.

1. Éteignez l'alimentation en eau de l'appareil.
2. Attendez que la glace restante à l'intérieur de l'appareil fonde de l'évaporateur dans le seau, puis jetez-le.
3. Éteignez l'appareil.
4. Vider complètement l'appareil de toute l'eau en utilisant les instructions de vidange.
5. Utilisez une brosse stérile pour gratter ou desserrer toute accumulation d'eau dure sur le réservoir d'eau interne, le seau à glace, le panneau de couverture et la plaque de direction.
6. Remplissez le réservoir d'eau interne avec une solution de nettoyage à parts égales d'eau et de vinaigre.
7. Remettez l'alimentation en eau et l'appareil en marche.
8. Laisser l'appareil faire 6 ou 7 lots de glace. Jetez toute cette glace.
9. Éteignez l'alimentation en eau et l'appareil.
10. Vider complètement l'appareil de toute l'eau une seconde fois en suivant les instructions de vidange. Ceci est fait pour enlever toute solution résiduelle de nettoyage à l'intérieur du réservoir d'eau.
11. Remettez l'alimentation en eau et l'appareil en marche.
12. Laisser l'appareil faire 2 ou 3 lots de glace. Jetez toute cette glace une deuxième fois pour éviter toute glace pouvant contenir une solution de nettoyage résiduelle.

Pour nettoyer l'intérieur de l'appareil, utilisez un chiffon doux et une solution d'une cuillère à soupe de bicarbonate de soude pour un litre d'eau ou un détergent doux.

Nettoyez l'extérieur avec un chiffon doux et humide et un peu de détergent doux.

**Remarque:** N'utilisez pas de nettoyeurs contenant de l'ammoniaque ou de l'alcool sur l'appareil. L'ammoniac ou l'alcool peuvent endommager l'apparence de l'appareil. N'utilisez jamais de nettoyeurs commerciaux ou abrasifs ou d'objets pointus sur toute partie de l'appareil.

### PANNE ÉLECTRIQUE

En cas de panne de courant, le drain peut ne pas fonctionner. Si l'alimentation est coupée pendant une longue période, cela pourrait entraîner des fuites d'eau et endommager le plancher en raison de la fonte de la glace.

Il est fortement recommandé que si l'appareil n'est pas utilisé ou reste sans surveillance pendant plus de 48 heures, il doit être vidangé et éteint pour éviter toute fuite d'eau due à une panne de courant.

### DÉMÉNAGER

- Assurez-vous que toute l'eau est drainée.
- Tournez la jambe réglable jusqu'à la base pour éviter tout dommage.
- Cassez la porte fermée.
- Assurez-vous que l'appareil reste en position verticale pendant le transport.
- Protégez l'extérieur de l'appareil avec une couverture ou un objet similaire.
- Si l'appareil est placé sur le dos ou sur le côté pendant le transport, à la destination, laissez-le reposer pendant 6 heures avant de le brancher pour éviter d'endommager les composants internes.

### DISPOSITION

Cet appareil ne doit pas être traité comme un déchet ménager ordinaire, il doit être amené au point de collecte des déchets approprié pour le recyclage des composants électriques. Pour plus d'informations sur les points de collecte des déchets locaux, contactez votre agence de collecte des déchets locale ou le bureau du gouvernement.

## DÉPANNAGE

**Silhouette soins du consommateur: 1-844-455-6097**




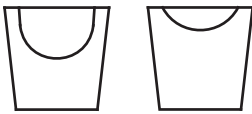


**Heures d'ouverture:**

Lundi à Jeudi 8 h 30 à 18 h, heure normale de l'Est

Vendredi de 8 h 30 à 16 h, heure normale de l'Est

Les informations contenues dans ce manuel sont sujettes à modification sans préavis.

PROBLÈME	CAUSE POSSIBLE
<b>L'appareil n'est pas alimenté</b>	<ul style="list-style-type: none"> <li>Un fusible de votre panneau de distribution peut être grillé ou le disjoncteur déclenché</li> <li>La fiche n'est pas complètement insérée dans prise murale</li> </ul>
<b>La glace n'est pas assez grande ou fond trop vite</b>	<ul style="list-style-type: none"> <li>La porte n'est pas fermée correctement ou ouverte excessivement</li> <li>Proche de la source de chaleur ou de la lumière directe du soleil</li> <li>La température ambiante ou l'humidité est très élevée</li> <li>Le réglage de la taille de la glace choisie est trop petit</li> </ul>
<b>Fuite d'eau</b>	<ul style="list-style-type: none"> <li>La connexion d'entrée d'eau fuit</li> <li>La connexion du tuyau de vidange fuit</li> <li>Les bouchons de vidange sur le seau à glace ne sont pas complètement fermés</li> </ul>
<b>Bruit excessif ou vibrations</b>	<ul style="list-style-type: none"> <li>L'appareil n'est pas de niveau</li> </ul>
<b>L'alarme de la machine à glaçons sonne</b>	<ul style="list-style-type: none"> <li>Le réservoir d'eau interne est plein</li> <li>Pas assez d'eau entrant dans l'appareil par l'entrée d'eau</li> </ul>

INDICATEUR	DESCRIPTION	CAUSE POSSIBLE
	<ol style="list-style-type: none"> <li>Clignotant</li> <li>Allumer</li> <li>Éteindre</li> </ol>	<ol style="list-style-type: none"> <li>Mode veille</li> <li>L'appareil est allumé</li> <li>L'appareil est éteint</li> </ol>
	Clignotant et biper	Le réservoir d'eau est plein; vidangez l'appareil de l'excès d'eau ou assurez-vous que la pompe de vidange est allumée pour rétablir le fonctionnement normal
	Clignotant	Le seau à glace est plein de glace; enlever l'excès de glace pour rétablir le fonctionnement normal
	Clignotant	Défaillance du capteur; contacter un technicien de service autorisé
	Clignotant	L'appareil est bas sur l'eau; vérifier que l'alimentation en eau fonctionne normalement
	Clignotant	Défaillance du capteur; contacter un technicien de service autorisé



*Silhouette*

## GARANTIE LIMITÉE "À DOMICILE"

Cet appareil de qualité est garanti exempt de tout vice de matière première et de fabrication, s'il est utilisé dans les conditions normales recommandées par le fabricant.

Cette garantie n'est offerte qu'à l'acheteur initial de l'appareil vendu par Danby Products Limited (Canada) ou Danby Products Inc. (E.-U.A.) (ci-après « Danby ») ou par l'un des ses distributeurs agréés et elle ne peut être transférée.

### CONDITIONS

Les pièces en plastique sont garanties pendant trente (30) jours seulement à partir de la date de l'achat, sans aucune prolongation prévue.

**Premiers 24 mois** Pendant les premiers **vingt quatre (24) mois**, toutes les pièces fonctionnelles de ce produit qui s'avèrent défectueuses seront réparées ou remplacées, selon le choix du garant, sans frais à l'acheteur initial.

**Pour bénéficiaire du service** S'adresser au détaillant qui a vendu l'appareil, ou à la station technique agréée de service la plus proche, où les réparations doivent être effectuées par un technicien qualifié. Si les réparations sont effectuées par quiconque autre que la station de service agréée ou à des fins commerciales, toutes les obligations de Danby en vertu de cette garantie seront annulées.

**Limites de l'entretien à domicile** Danby se réserve le droit de limiter les limites de "Service au domicile" à proximité d'un dépôt de service agréé. Tout appareil nécessitant un service en dehors des limites de "Service à domicile" sera la responsabilité du consommateur de transporter l'appareil à leur propres frais le point d'achat original ou un dépôt de service pour réparation. Si l'appareil est installé à plus de **100 kilomètres (62 milles)** du centre de service le plus proche, il doit être livré à l'atelier de réparation autorisé par Danby le plus proche, car l'entretien doit uniquement être réalisé par un technicien qualifié et certifié pour effectuer un entretien couvert par la garantie de Danby.

Les frais de transport entre votre domicile et le lieu de l'entretien ne sont pas couverts par la présente garantie et doivent être acquittés par l'acheteur.

Aucune partie de la garantie ne prévoit implicitement que le fabricant sera tenu responsable des dommages subis par les aliments ou d'autres types de contenu, qu'ils soient causés par la défectuosité de l'appareil ou par son usage adéquat ou inadéquat.

### EXCLUSIONS

En vertu de la présente, il n'existe aucune autre garantie, condition ou représentation, qu'elle soit exprimée ou tacite, de façon manifeste ou intentionnelle, par Danby ou ses distributeurs agréés. De même, sont exclues toutes les autres garanties, conditions ou représentations, y compris les garanties, conditions ou représentations en vertu de toute loi régissant la vente de produits ou de toute autre législation ou règlement semblables. En vertu de la présente, Danby ne peut être tenue responsable en cas de blessures corporelles ou des dégâts matériels, y compris à l'appareil, quelle qu'en soit la cause. Danby ne peut pas être tenue responsable des dommages indirects dus au fonctionnement défectueux de l'appareil. En achetant l'appareil, l'acheteur accepte de mettre à couvert et de dégager Danby de toute responsabilité en cas de réclamation pour toute blessure corporelle ou tout dégât matériel causé par cet appareil.

### CONDITIONS GÉNÉRALES

La garantie ou assurance ci-dessus ne s'applique pas si les dégâts ou réparations sont dus aux cas suivants:

- 1) Panne de courant.
- 2) Dommages subis pendant le transport ou le déplacement de l'appareil.
- 3) Alimentation électrique incorrecte (tension faible, câblage défectueux, fusibles incorrects).
- 4) Accident, modification, emploi abusif ou incorrect de l'appareil tel qu'une circulation d'air inadéquate dans la pièce ou des conditions de fonctionnement anormales (température extrêmement élevée ou basse).
- 5) Utilisation dans un but commercial ou industriel (à savoir, si l'appareil n'est pas installé dans un domicile résidentiel).
- 6) Incendie, dommages causés par l'eau, vol, guerre, émeute, hostilités, cas de force majeure (ouragan, inondation, etc.).
- 7) Visites d'un technicien pour expliquer le fonctionnement de l'appareil au propriétaire.
- 8) Installation inappropriée (par exemple, encastrement d'un appareil autoportant, ou utilisation extérieure d'un appareil non conçu à cet effet, y compris, mais sans s'y limiter: les garages, les patios, les porches ou ailleurs qui ne sont pas correctement isolés ou climatisés).

La preuve de la date d'achat sera requise pour les réclamations de garantie; Conserver les factures de vente. Dans le cas où un service de garantie est requis, présentez la preuve d'achat à notre dépôt de service agréé.

#### Service sous garantie

Service au domicile

Danby Products Limited  
PO Box 1778, Guelph, Ontario, Canada N1H 6Z9  
Téléphone : (519) 837-0920 Télécopieur: (519) 837-0449

**1-844-455-6097**

04/17

Danby Products Inc.  
PO Box 669, Findlay, Ohio, U.S.A. 45840  
Téléphone: (419) 425-8627 Télécopieur: (419) 425-8629

# Bienvenido

Bienvenido a la familia Silhouette. Estamos orgullosos de nuestros productos de calidad y creemos en un servicio confiable. Sugerimos que lea este manual del propietario antes de conectar el nuevo aparato ya que contiene información importante sobre la operación, información de seguridad, solución de problemas y consejos de mantenimiento para garantizar la fiabilidad y longevidad de su electrodoméstico.

Visite [www.SilhouetteAppliances.com](http://www.SilhouetteAppliances.com) para acceder a herramientas de autoservicio, preguntas frecuentes y mucho más. Para asistencia adicional, llame al **1-844-455-6097**

**Tenga en cuenta la información siguiente; Necesitará esta información para obtener un servicio bajo garantía.**

**Debe proporcionar el recibo de compra original para validar su garantía y recibir servicio.**

**Número de modelo:** \_\_\_\_\_

**Número de serie:** \_\_\_\_\_

**Fecha de compra:** \_\_\_\_\_

## Necesitas ayuda?

Antes de llamar al servicio, aquí hay algunas cosas que puede hacer para ayudarnos a servirle mejor.

### **Lea este manual del propietario:**

Contiene instrucciones para ayudarlo a usar y mantener su aparato correctamente.

### **Si recibe un aparato dañado:**

Inmediatamente póngase en contacto con el minorista o el constructor que le vendió el aparato.

### **Ahorre tiempo y dinero:**

Consulte la sección de solución de problemas al final de este manual antes de llamar. Esta sección le ayudará a resolver problemas comunes que pueden ocurrir.



1-844-455-6097



## Importantes Instrucciones de Seguridad

### LEA Y SIGA TODAS LAS INSTRUCCIONES DE SEGURIDAD

#### REQUERIMIENTOS DE SEGURIDAD

**PELIGRO:** Riesgo de incendio o explosión. Refrigerante inflamable usado. No perforar la tubería del refrigerante.

- No utilice dispositivos mecánicos para descongelar el refrigerador.
- Asegúrese de que el personal de mantenimiento autorizado por la fábrica haga el mantenimiento para minimizar los daños o problemas de seguridad del producto.

**ADVERTENCIA:** Mantenga las aberturas de ventilación, en la caja del aparato o en la estructura incorporada, sin obstrucción.

**ADVERTENCIA:** No utilice dispositivos mecánicos u otros medios para acelerar el proceso de descongelación, distintos de los recomendados por el fabricante.

**ADVERTENCIA:** No dañar el circuito refrigerante.

**ADVERTENCIA:** No utilice electrodomésticos dentro de los compartimentos de almacenamiento de alimentos del aparato, a menos que sean del tipo recomendado por el fabricante.

**PRECAUCIÓN:** Riesgo de incendio o explosión. Refrigerante inflamable usado.

- Consulte el manual de reparación o la guía del propietario antes de intentar reparar este producto. Todas las precauciones de seguridad deben ser seguidas.
- Deseche adecuadamente de acuerdo con las regulaciones federales o locales.
- Siga cuidadosamente las instrucciones de manipulación.

**PRECAUCIÓN:** Los niños deben ser supervisados para asegurarse de que no juegan con el aparato.

**PELIGRO:** Riesgo de atrapamiento de niños. Antes de tirar un electrodoméstico viejo:

- Retire la puerta o la tapa.
- Deje los estantes en su lugar para que los niños no puedan subir fácilmente dentro.

**ADVERTENCIA:** Llene sólo con agua potable.

#### REQUERIMIENTOS DE SEGURIDAD

Este aparato no está diseñado para ser usado por personas (incluyendo niños) cuyas capacidades físicas, sensoriales o mentales pueden ser diferentes o reducir, o que carecen de experiencia o conocimiento, a menos que dichas personas reciban supervisión o entrenamiento para operar el aparato por una persona responsable de su la seguridad.

#### INSTRUCCIONES DE CONEXION A TIERRA

Este aparato debe estar conectado a tierra. La puesta a tierra reduce el riesgo de descarga eléctrica proporcionando un cable de escape para la corriente eléctrica.

Este aparato tiene un cable que tiene un cable de conexión a tierra con un enchufe de 3 clavijas. El cable de alimentación debe estar enchufado en un tomacorriente que esté debidamente conectado a tierra. Si el tomacorriente es un enchufe de pared de 2 terminales, debe ser reemplazado por un tomacorriente de pared de 3 clavijas debidamente conectado a tierra. La placa de características en serie indica el voltaje y la frecuencia que el aparato está diseñado para.

**ADVERTENCIA** - El uso incorrecto del enchufe de conexión a tierra puede resultar en un riesgo de descarga eléctrica. Consulte a un electricista calificado o agente de servicio si las instrucciones de conexión a tierra no se entienden completamente o si existe duda sobre si el aparato está debidamente conectado a tierra.

**No conecte el aparato a los cables de extensión ni con otro aparato en la misma toma de corriente.**

No empalme el cable de alimentación. No corte ni extraiga en ningún caso la tercera clavija de tierra del cable de alimentación. No utilice cables de extensión ni adaptadores sin conexión a tierra (dos clavijas).

Si el cable de alimentación está dañado, debe ser reemplazado por el fabricante, su agente de servicio o persona calificada similar para evitar riesgos.

**¡GUARDE ESTAS INSTRUCCIONES!**

# INSTRUCCIONES DE INSTALACIÓN

## UBICACIÓN

- Se deben utilizar dos personas al mover el aparato.
- Retire el embalaje interior y exterior antes de la instalación. Limpie el exterior del aparato con un paño suave y seco y el interior con un paño húmedo tibio.
- Coloque el aparato en un piso que sea lo suficientemente fuerte como para soportarlo cuando esté completamente cargado.
- Ubique el aparato lejos de la luz directa del sol y fuentes de calor (estufa, calentador, radiador, etc.). La luz solar directa y las fuentes de calor pueden aumentar el consumo eléctrico. Las temperaturas ambientales extremadamente frías también pueden causar que la unidad funcione incorrectamente.
- Este aparato está diseñado para uso doméstico solamente. Esta unidad no está diseñada para instalación exterior, incluida la instalación en cualquier lugar que no sea de temperatura controlada (garajes, porches, cocheras, etc.).
- Antes de conectar el aparato a una fuente de alimentación, deje que se mantenga erguido durante aproximadamente 6 horas; Esto reducirá la posibilidad de un malfuncionamiento en el sistema de enfriamiento debido a la manipulación durante el transporte.
- Esta aparato tiene 15 pulgadas (38 cm) de ancho por 34.3 pulgadas (87 cm) de alto por 24.2 pulgadas (61.4 cm) de profundidad.
- La máquina de hacer hielo debe colocarse en un área donde la temperatura ambiente esté entre 54°F - 95°F (12°C - 35°C). Si la temperatura ambiente está por encima o por debajo de este rango, el rendimiento del dispositivo puede verse afectado.

## RESPIRADERO FRONTAL

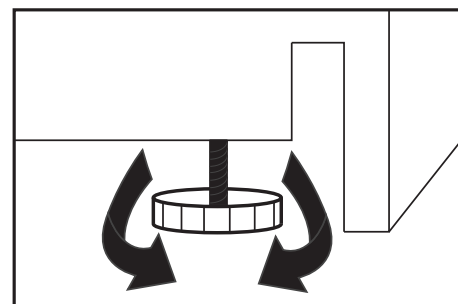
Este aparato es la respiración delantera. No bloquee la salida de aire frontal, ya que esto resultará en altas temperaturas de funcionamiento, mayor consumo de energía y posible sobrecalentamiento y fallo del sistema.



## INSTRUCCIONES DE NIVELACIÓN

Hay dos patas ajustables en la parte inferior del aparato que se pueden subir o bajar para asegurarse de que el aparato esté nivelado. Es importante que el aparato esté nivelado para minimizar el ruido y las vibraciones. Para nivelar el aparato:

1. Mueva el aparato a su ubicación final.
2. Gire la pierna de nivelación en el sentido de las agujas del reloj hasta el tope, hasta que la parte superior del pie toque la parte inferior del chasis.
3. Gire lentamente la pierna de nivelación en el sentido de las agujas del reloj hasta que el aparato esté nivelado.



# INSTRUCCIONES DE INSTALACIÓN

## PREPARAR EL RECINTO

Se deben usar guantes y gafas de seguridad durante la instalación.

No se recomienda instalar el aparato en una esquina o directamente al lado de una pared. La puerta deberá abrirse más de 90 ° para permitir la extracción del cubo de hielo. Si es necesario colocar la unidad cerca de una pared o en una esquina, deje al menos 2-4 pulgadas (5-10 cm) de espacio entre la pared y el electrodoméstico para permitir la apertura de la puerta.

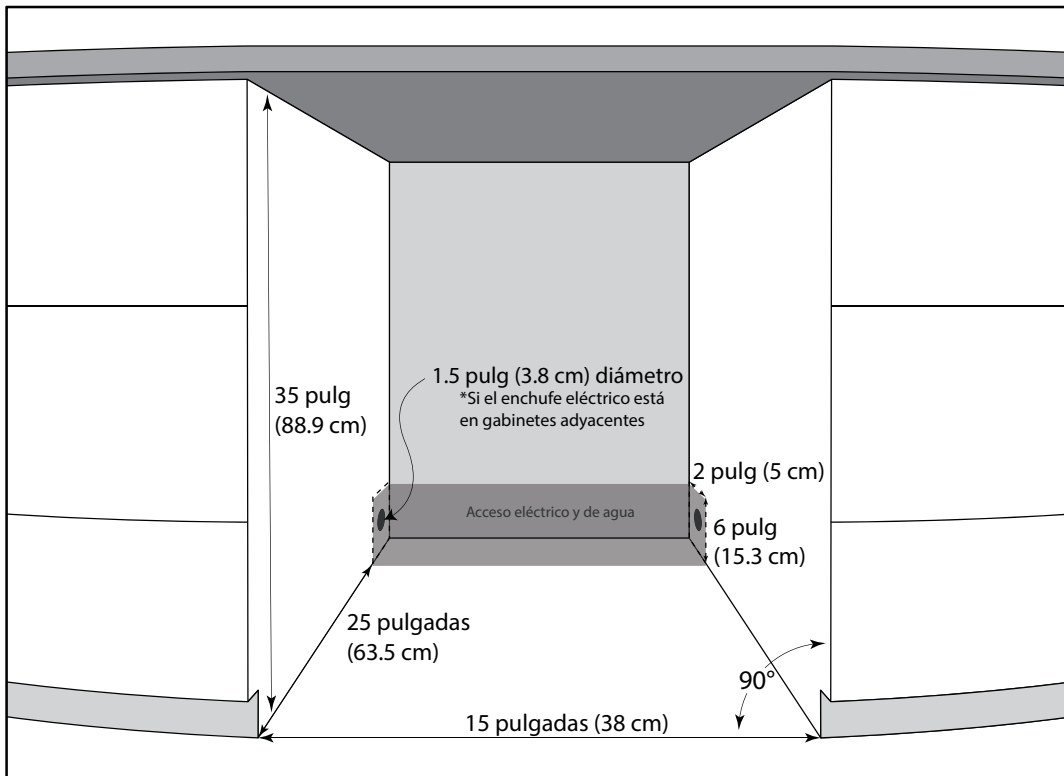
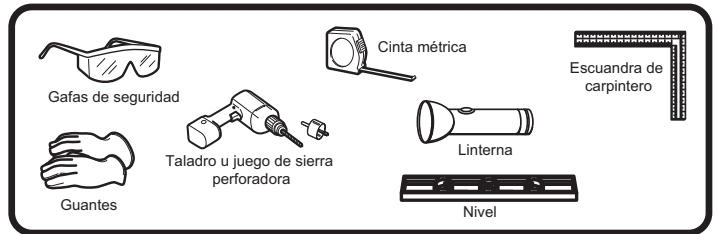
La abertura del gabinete debe tener al menos 15 pulgadas (38 cm) de ancho por 35 pulgadas (88,9 cm) de alto por 25 pulgadas (63,5 cm) de profundidad.

**Nota:** El requerimiento de profundidad listado supone que la toma de corriente y el suministro de agua están ubicados en los gabinetes adyacentes o montados empotrados en la pared posterior, no montados en la superficie dentro del gabinete.

Si la toma de corriente y el suministro de agua están ubicados dentro de los gabinetes adyacentes, corte un orificio de 1.5 pulgadas (3.8 cm) de diámetro para admitir el cable de alimentación y la manguera de entrada de agua. Si la pared del gabinete es de metal, el borde del orificio debe estar cubierto con un casquillo o una arandela.

## HERRAMIENTAS REQUERIDAS

- Gafas de seguridad
- Guantes
- Cinta métrica
- Escuadra de carpintero
- Nivel
- Linterna
- Taladro u juego de sierra perforadora



## INSTRUCCIONES DE INSTALACIÓN

### INSTALACIÓN DE LA MANGUERA DE ENTRADA DE AGUA

#### ADVERTENCIA

Para evitar descargas eléctricas, que pueden causar la muerte o lesiones graves, asegúrese de que la máquina de hacer hielo no esté enchufada antes de conectar la línea de suministro de agua.

La tubería de plástico no se recomienda para la manguera de entrada, ya que aumenta enormemente la posibilidad de fugas de agua. El fabricante no será responsable de ningún daño si se usan tubos de plástico para la línea de suministro de agua.

No instale tubos de suministro de agua en áreas donde las temperaturas caen por debajo de cero.

Asegúrese de que la fábrica de hielo esté conectada a una fuente de agua potable que no esté atada a un sistema de ablandamiento de agua. Los productos químicos del ablandador de agua pueden dañar la fábrica de hielo.

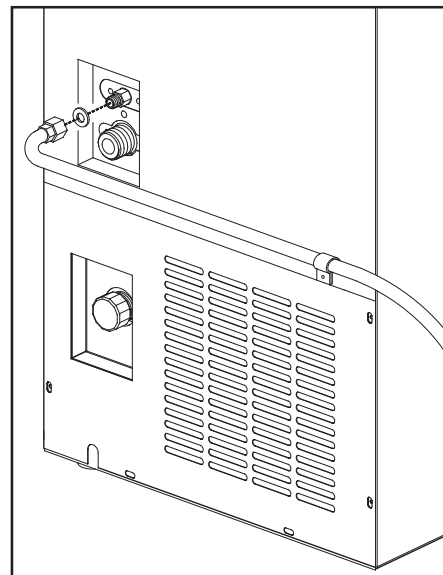
Asegúrese de que la línea de suministro de agua cumpla con todos los códigos de plomería locales.

### Herramientas requeridas

- Llave ajustable
- Destornillador de punta plana
- Una línea doméstica de agua fría con presión de agua entre 20 y 60 psi.
- Una manguera de suministro de agua hecha de tubos de cobre de 1/4 pulgada (6.4 mm) OD. Para determinar la longitud de la tubería de cobre necesaria, mida la distancia desde la válvula de entrada del productor de hielo en la parte posterior del artefacto hasta el suministro de agua fría, luego agregue aproximadamente 3 pies (0.9 metros) para que la fábrica de hielo pueda moverse fuera del armario para limpiar.
- Una válvula de cierre para conectar la línea de suministro de agua al sistema de agua del hogar. No use un tipo de válvula de cierre autopercutor.
- Una tuerca de compresión y una férula (manguito) para conectar la línea de suministro de agua a la válvula de entrada de la fábrica de hielo.
- Una abrazadera y un tornillo número 8, 1/2" para asegurar la línea de agua.

### Conectando el suministro de agua

1. Asegúrese de que la fábrica de hielo esté desconectada de la fuente de alimentación.
2. Coloque el extremo de la línea de suministro de agua de la casa en un fregadero o cubo. Abra el suministro de agua y vacíe la línea de suministro hasta que el agua esté limpia. Cierre el suministro de agua en la válvula de cierre.
3. Retire la tapa de plástico de la válvula de entrada de agua en la parte posterior de la fábrica de hielo.
4. Deslice la tuerca de compresión de bronce y la férula (camisa) en la línea de suministro de agua.
5. Empuje la línea de suministro de agua hacia la entrada de la válvula de agua tanto como sea posible, aproximadamente 1/4 ". Deslice la férula (manga) en la entrada de la válvula de agua y apriete la tuerca de compresión en la válvula. Aprieta otra media vuelta con una llave. No apriete demasiado.
6. Asegure la línea de agua a la parte posterior del aparato con la abrazadera y el tornillo.
7. Enrolle aproximadamente 3 pies de la línea de suministro de agua detrás de la fábrica de hielo y coloque las bobinas para que no vibren ni se desgasten contra ninguna superficie.
8. Abra el suministro de agua en la válvula de cierre y ajuste las conexiones que tengan fugas.



## INSTRUCCIONES DE INSTALACIÓN

### INSTALACIÓN DE LA MANGUERA DE DRENAJE

Es importante tener en cuenta que este aparato mantiene las temperaturas ligeramente por encima del punto de congelación para garantizar que el hielo se disgregue en bloques utilizables cuando caiga dentro del cucharón. Esto también significa que el hielo se derrite con el tiempo si no se usa de inmediato. Por este motivo, se debe seleccionar una de las siguientes tres opciones de drenaje.

- A - drenaje manual
- B - drenaje continuo
- C - bomba de drenaje

Se proporciona una manguera de drenaje trenzada en la bolsa de accesorios. Asegúrese de que la manguera de drenaje no se doble ni doble durante el proceso de instalación.

#### Opción A - Drenaje manual

El método de drenaje manual se puede usar si no hay un drenaje adecuado en la habitación a la que se puede conectar el aparato. Al usar esta opción, el agua derretida llenará el cubo de hielo dentro del artefacto y se debe quitar manualmente. No hay una manguera de drenaje conectada al artefacto.

El nivel de agua dentro de la fábrica de hielo deberá revisarse periódicamente y luego eliminarse manualmente cuando llene la cubitera. El agua puede eliminarse retirando el cucharón del artefacto y vaciándolo en un fregadero o desagüe o quitando la tapa de drenaje y el sello de la parte frontal del cucharón y permitiendo que el agua se drene en un segundo receptáculo.

**Nota:** La fábrica de hielo está refrigerada, pero no es un congelador. Cualquier hielo que se genere finalmente se derretirá y llenará el cubo de hielo con agua. Si no hay una manguera de drenaje instalada, el artefacto debe ser drenado regular y manualmente para garantizar que se siga creando hielo nuevo.

Cuando use la opción de drenaje manual, asegúrese de que el interruptor de la bomba de drenaje en la parte posterior del aparato esté en "OFF".

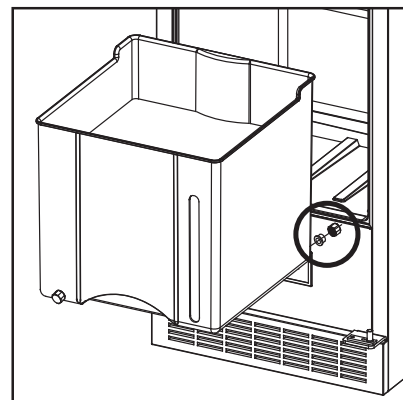
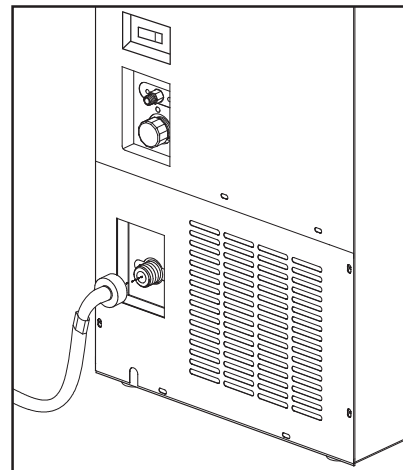
#### Opción B - Drenaje continuo

En el método de drenaje continuo, el agua se eliminará del artefacto solo por gravedad. Esta opción es útil si hay un drenaje cercano en el piso.

1. Use la manguera de drenaje provista en la bolsa de accesorios.
2. Conecte la manguera de drenaje a la salida de drenaje continuo cerca de la parte inferior del aparato.
3. Dirija el otro extremo de la manguera de drenaje a un drenaje de piso.
4. Retire el sello de drenaje posterior y la tapa de drenaje posterior de la parte posterior del cucharón para permitir que el agua derretida del balde fluya hacia el tanque de agua interno, que luego se drenará a través de la manguera.

La manguera de desagüe debe inclinarse hacia abajo desde la parte posterior del artefacto o el agua retrocederá hacia el interior del artefacto y puede provocar una fuga.

Cuando utilice la opción de drenaje continuo, asegúrese de que el interruptor de la bomba de drenaje en la parte posterior del aparato esté en "OFF".



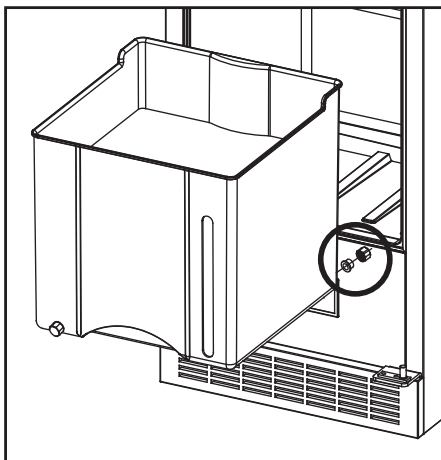
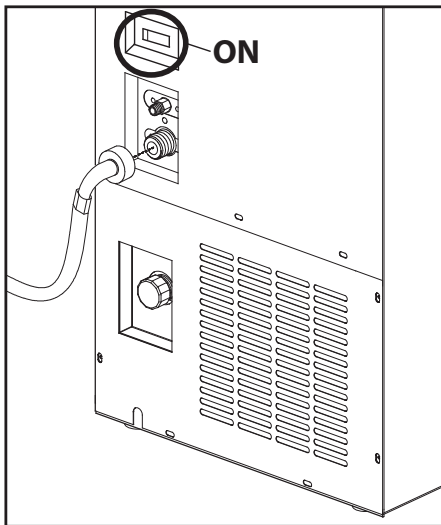
## INSTRUCCIONES DE INSTALACIÓN

### Opción C - Bomba de drenaje

Se recomienda usar la opción de bomba de drenaje si no hay un drenaje de piso cercano que pueda usarse. El uso de la bomba permite inclinar la manguera de drenaje en cualquier dirección.

1. Use la manguera de drenaje provista en la bolsa de accesorios.
2. Conecte la manguera de drenaje a la salida de drenaje de la bomba en la parte posterior del aparato.
3. Dirige el otro extremo de la manguera de drenaje hacia un drenaje.
4. Retire el sello de drenaje posterior y la tapa de drenaje posterior de la parte posterior del cucharón para permitir que el agua derretida del balde fluya hacia el tanque de agua interno, que luego se drenará a través de la manguera.

Cuando use la opción de drenaje continuo, asegúrese de que el interruptor de la bomba de drenaje en la parte posterior del aparato esté en "ON".

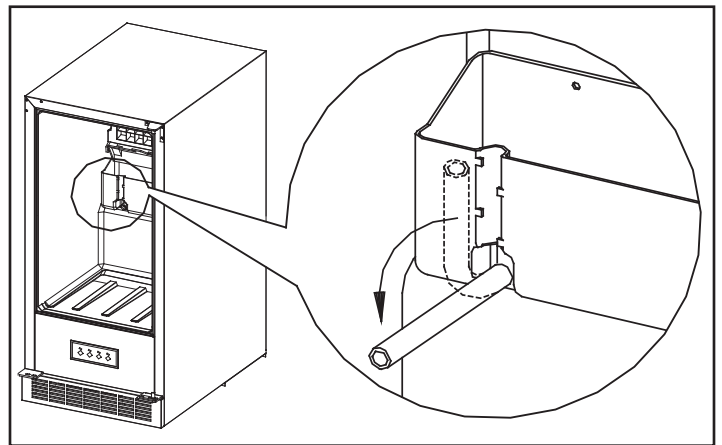


### DRENANDO EL APARATO

Si el electrodoméstico se va a limpiar o si no se va a utilizar durante un período prolongado, debe drenarse por completo de toda el agua.

Cierre el suministro de agua y retire el cubo de hielo. En la pared posterior interna del aparato hay un tubo de goma conectado al tanque de agua interior. Desenganche suavemente el tubo y bájelo hacia el puerto de drenaje en la parte posterior del gabinete de la fábrica de hielo para permitir que el agua dentro del aparato se drene.

**Nota:** No deje el aparato desatendido mientras se está drenando. El flujo de agua puede abrumar el drenaje y puede filtrarse desde la parte frontal del gabinete. Es aconsejable levantar ligeramente la parte frontal del gabinete mientras se drena para evitar este problema.



### CIRCULACIÓN CONTINUA DEL AGUA

Este aparato funciona utilizando un ciclo continuo de agua que produce muy poco desperdicio.

Cuando el electrodoméstico está funcionando y el contenedor de agua interno está bajo, se permite la entrada de agua nueva al artefacto desde la fuente de agua. El contenedor de agua se llena y la bomba de recirculación hace circular agua sobre la bandeja del evaporador hasta que se produce hielo. Este proceso es continuo siempre que se encienda el aparato y se conecte la fuente de agua.

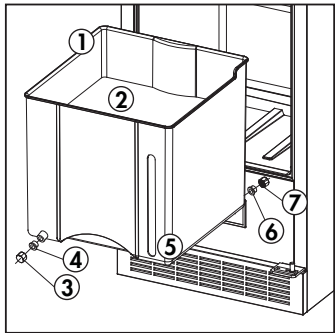
Cualquier agua que ingrese en el drenaje en la parte inferior de la fábrica de hielo no se reciclará, se drenará a través de la manguera de drenaje o se recogerá en la cubeta de hielo si no se conecta una manguera de drenaje. Esto asegura que siempre se cree hielo nuevo con agua limpia.



# INSTRUCCIONES DE OPERACIÓN

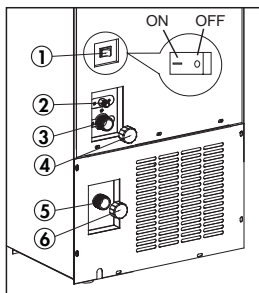
## CARACTERÍSTICAS - DELANTERO

1. Cubo de hielo
2. Tablero inferior de balde de hielo
3. Tapa de drenaje frontal
4. Sello de drenaje frontal
5. Indicador de nivel de agua
6. Sello de drenaje trasero
7. Tapa de drenaje posterior



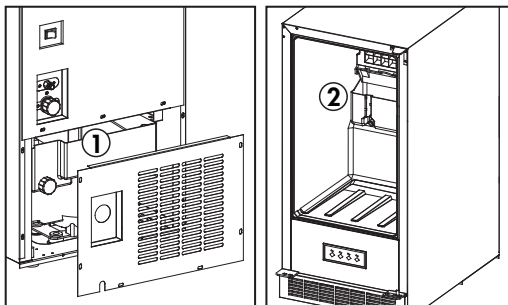
## CARACTERÍSTICAS - TRASERO

1. Interruptor de la bomba de drenaje
2. Entrada de agua
3. Salida de la bomba de drenaje
4. Tapa de la bomba de drenaje
5. Salida de drenaje directa
6. Tapa de drenaje directo
7. Manguera de drenaje trenzada (no ilustrada)



## CARACTERÍSTICAS - INTERNO

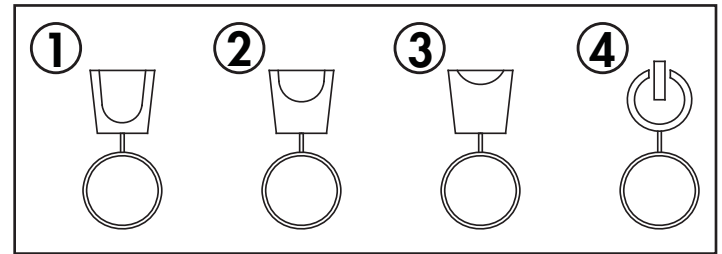
1. Depósito de agua de drenaje continuo
2. Tanque de agua interno



## PANEL DE CONTROL

Los tamaños de los cubos de hielo difieren según la densidad y no el volumen. Un cubo de hielo grande es del mismo tamaño que un pequeño cubo de hielo pero contiene más agua congelada.

1. Botón para cubitos de hielo pequeños
2. Botón para cubitos de hielo medianos
3. Botón para cubitos de hielo grandes
4. Botón de encendido



La fábrica de hielo se configura automáticamente para hacer hielo mediano. Para cambiar el tamaño del hielo creado, presione el botón de tamaño de hielo deseado.

Para dejar de hacer hielo, pero para mantener el dispositivo en modo de espera, mantenga presionado el botón de encendido durante 3 segundos. La luz indicadora de encendido parpadeará para indicar el modo de espera. No deje el dispositivo en modo de espera durante más de 6 horas. Para reanudar la fabricación de hielo, presione el botón de encendido nuevamente.

Este electrodoméstico puede producir hasta 32 lbs. de hielo a diario. La capacidad del cubo de hielo es de 25 lbs.

Cuando se cree hielo nuevo, retírelo del electrodoméstico y colóquelo en un congelador para su almacenamiento a largo plazo.

## FILTRO DE AGUA

Se recomienda encarecidamente utilizar un filtro de agua en la fuente de agua conectada a este electrodoméstico. Un filtro de agua funciona para eliminar los sedimentos como la suciedad, el óxido y otros desechos que no son visibles a simple vista pero que existen en todas las fuentes de agua. Estos contaminantes pueden afectar negativamente la calidad del hielo producido y pueden aumentar el desgaste del aparato.

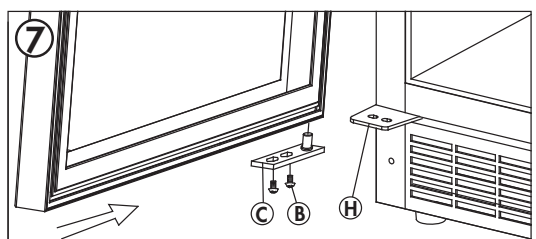
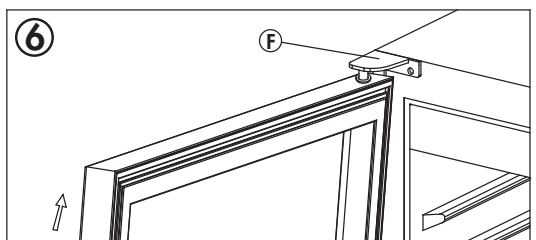
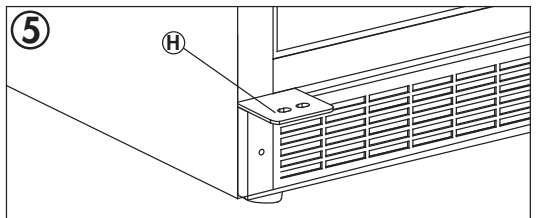
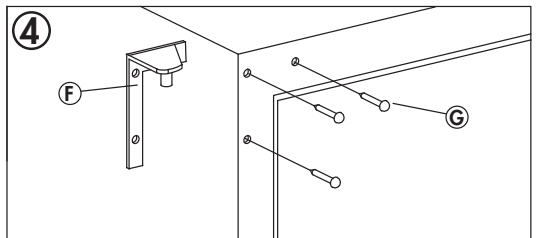
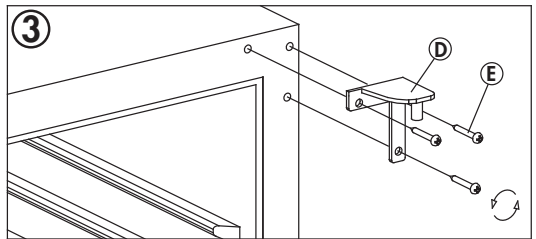
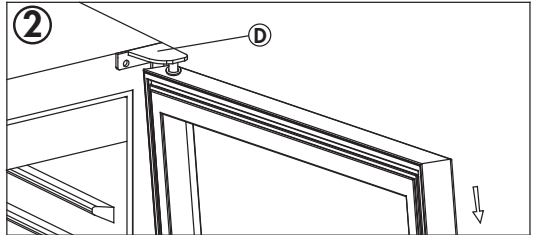
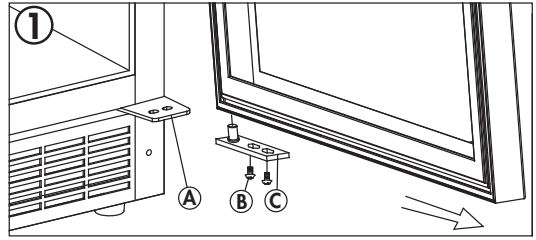
## INSTRUCCIONES DE OPERACIÓN

### INSTRUCCIONES DE REVERSIÓN DE PUERTA

Si el aparato se coloca en su parte posterior o lateral durante un período de tiempo prolongado durante este proceso, se debe permitir que permanezca erguido durante 6 horas antes de enchufarlo para evitar daños a los componentes internos.

1. Abra la puerta a un ángulo de 90° y quite dos tornillos del eje de la puerta.
2. Deslice la parte inferior de la puerta hacia afuera para sacarla del gabinete.
3. Retire los tres tornillos de la bisagra superior derecha y retire la bisagra superior derecha.
4. Retire las cubiertas de los orificios para tornillos de la parte superior izquierda del gabinete e instale la bisagra superior izquierda en la parte superior izquierda del gabinete con tres tornillos. Bloquee los agujeros en la parte superior derecha del gabinete con las cubiertas de los orificios para tornillos.
5. La bisagra inferior izquierda está preinstalada en el armario.
6. Cuando vuelva a instalar la puerta, tendrá que voltearse 180° desde su posición original para asegurarse de que el mango esté en el lado correcto. Instale la puerta deslizándola sobre el pasador de la bisagra superior.
7. Reemplace el eje de la puerta colocando el pasador de la bisagra en la parte inferior de la puerta y sujételo a la bisagra inferior izquierda con dos tornillos. Asegúrese de que la parte superior de la puerta esté alineada correctamente con la parte superior del gabinete y que la junta de goma quede bien cerrada con el gabinete.

- A. Bisagra inferior derecha
- B. Tornillos del eje de la puerta
- C. Eje de puerta
- D. Bisagra superior derecha
- E. Tornillos de Bisagra
- F. Bisagra superior izquierda
- G. Cubierta del agujero de tornillo
- H. Bisagra inferior izquierda



### CICLO DE LIMPIEZA

La frecuencia de los ciclos de limpieza estará determinada por la cantidad de uso y la dureza del suministro de agua.

1. Cierre el suministro de agua al aparato.
2. Espere a que el hielo restante dentro del aparato se derrita desde el evaporador hacia la cubeta, luego deséchelo.
3. Apague el aparato.
4. Vacíe por completo el aparato de toda el agua siguiendo las instrucciones de drenaje.
5. Use un cepillo estéril para raspar o aflojar cualquier acumulación de agua dura en el tanque de agua interno, la cubeta de hielo, la placa protectora y la placa de dirección.
6. Llene el tanque de agua interno con una solución limpiadora que contenga partes iguales de agua y vinagre.
7. Vuelva a conectar el suministro de agua y el aparato.
8. Permita que el aparato haga 6 o 7 lotes de hielo. Descarta todo este hielo.
9. Cierre el suministro de agua y el electrodoméstico.
10. Vacíe por completo el aparato de toda el agua una segunda vez usando las instrucciones de drenaje. Esto se hace para eliminar cualquier solución de limpieza residual dentro del tanque de agua.
11. Vuelva a conectar el suministro de agua y el aparato.
12. Permita que el aparato haga 2 o 3 lotes de hielo. Deseche todo este hielo una segunda vez para evitar cualquier hielo que pueda tener solución de limpieza residual.

Para limpiar el interior del aparato, use un paño suave y una solución de una cucharada de bicarbonato de sodio con un litro de agua o un poco de detergente suave.

Limpie el exterior con un paño suave y húmedo y un poco de detergente suave.

**Nota:** No use limpiadores que contengan amoníaco o alcohol en el artefacto. El amoníaco o el alcohol pueden dañar la apariencia del artefacto. Nunca use limpiadores comerciales o abrasivos u objetos afilados en ninguna parte del artefacto.

### FALLO DE ALIMENTACIÓN

En caso de una falla de energía, es posible que el drenaje no funcione. Si se corta la corriente durante un período de tiempo prolongado, esto podría provocar fugas de agua y daños en el piso debido a la fusión del hielo.

Se recomienda encarecidamente que, si el electrodoméstico no se utilizará o se dejará desatendido durante más de 48 horas, se deberá drenar y apagar para evitar posibles fugas de agua debido a un corte de energía.

### MUDARSE

- Asegúrese de drenar toda el agua.
- Gire la pata ajustable hasta la base para evitar daños.
- Cierra la puerta.
- Asegúrese de que el electrodoméstico permanezca en posición vertical durante el transporte.
- Proteja el exterior del electrodoméstico con una manta o artículo similar.
- Si el electrodoméstico se coloca de espaldas o de lado durante el transporte, al llegar al destino, déjelo en posición vertical durante 6 horas antes de enchufarlo para evitar daños a los componentes internos.

### DISPOSICIÓN

Este electrodoméstico no debe tratarse como un residuo doméstico común, sino que debe llevarse al punto de recogida de residuos apropiado para reciclar los componentes eléctricos. Para obtener información sobre los puntos locales de recolección de residuos, comuníquese con su agencia local de eliminación de desechos u oficina gubernamental.

## SOLUCIÓN SUGERIDA

**Silhouette cuidado del consumidor: 1-844-455-6097**




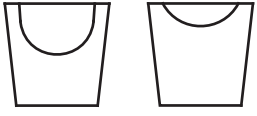

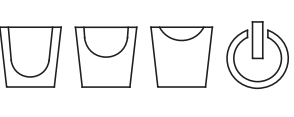
### Horas de operación:

Lunes a Jueves 8:30 am - 6:00 pm Hora estándar del este

Viernes 8:30 am - 4:00 pm Hora estándar del este

La información de este manual está sujeta a cambios sin previo aviso.

PROBLEMA	POSSIBLE CAUSA
<b>No funciona</b>	<ul style="list-style-type: none"> <li>• Un fusible en su casa puede soplarse o el interruptor de circuito disparado</li> <li>• El enchufe no está completamente insertado en la toma de corriente</li> </ul>
<b>El hielo no es lo suficientemente grande o se derrite demasiado rápido</b>	<ul style="list-style-type: none"> <li>• La puerta no se cierra correctamente o se abre excesivamente</li> <li>• Muy cerca de la fuente de calor o la luz solar directa</li> <li>• La temperatura o humedad ambiental es muy alta</li> <li>• La configuración del tamaño de hielo elegido es demasiado pequeña</li> </ul>
<b>Fuga de agua</b>	<ul style="list-style-type: none"> <li>• La conexión de entrada de agua está goteando</li> <li>• La conexión de la manguera de drenaje está goteando</li> <li>• Las tapas de drenaje en el cubo de hielo no están completamente cerradas</li> </ul>
<b>Ruido excesivo o vibraciones</b>	<ul style="list-style-type: none"> <li>• El aparato no está nivelado</li> </ul>
<b>La alarma del productor de hielo está sonando</b>	<ul style="list-style-type: none"> <li>• El tanque de agua interno está lleno</li> <li>• No hay suficiente agua entrando al aparato desde la entrada de agua</li> </ul>

INDICADOR	DESCRIPCIÓN	POSSIBLE CAUSA
	<ol style="list-style-type: none"> <li>1. Intermitente</li> <li>2. Encendido</li> <li>3. Apagado</li> </ol>	<ol style="list-style-type: none"> <li>4. Modo de espera</li> <li>5. Aparato está encendido</li> <li>6. Aparato está apagado</li> </ol>
	Intermitente y bip	El tanque de agua está lleno; drene el artefacto del exceso de agua o asegúrese de que la bomba de drenaje esté encendida para reanudar el funcionamiento normal
	Intermitente	El cubo de hielo está lleno de hielo; eliminar el exceso de hielo para reanudar el funcionamiento normal
	Intermitente	Falla del sensor; contacte a un técnico de servicio autorizado
	Intermitente	El dispositivo tiene poca agua; verificar que el suministro de agua funcione normalmente
	Intermitente	Falla del sensor; contacte a un técnico de servicio autorizado

*Silhouette*

## GARANTÍA LIMITADA "A DOMICILIO"

Este producto de calidad está garantizado contra defectos de fabricación, incluyendo partes y mano de obra, siempre y cuando la unidad se utilice bajo las condiciones normales de funcionamiento para las que fue diseñado. Esta garantía está solamente disponible para la persona que haya comprado originalmente esta unidad directamente de Danby Products Limited (Canada) o Danby Products Inc. (U.S.A.) (en adelante "Danby") o uno de sus distribuidores autorizados, y no es transferible.

### CONDICIONES DE LA GARANTÍA

Las piezas plásticas, se autorizan por treinta (30) días solamente a partir de la fecha de la compra, sin las extensiones proporcionadas.

**Primeros 24 meses** Durante los primeros **veinticuatro (24) meses**, cualquier parte en buen estado de este producto que resulte defectuosa, incluyendo cualquier sistema sellado, será reparado o reemplazado, a opción del fabricante, sin cargo para el comprador original.

**Para obtener servicio** Comuníquese con el distribuidor donde haya comprado la unidad, o llame al Taller de Servicio Autorizado más cercano, donde debe ser reparada por un técnico calificado. Si esta unidad es reparada en otro lugar que no sea un Taller de Servicio Autorizado, o si la unidad se utiliza para aplicaciones comerciales, Danby no se hará responsable de ninguna forma y la garantía será anulada.

**Límites del servicio técnico a domicilio** Danby se reserva el derecho de limitar la cobertura de "Servicio en Domicilio" sujeto a la proximidad de un **Taller de Servicio Autorizado**. Para todo artefacto que requiera servicio fuera del área limitada de "Servicio en Domicilio", el cliente será responsable por transportar dicho artefacto hasta el Taller de Servicio Autorizado más cercano. Si el electrodoméstico está instalado en un lugar que se encuentra a **100 kilómetros (62 millas)** o más del centro de servicios más cercano, se debe llevar la unidad al Centro de servicios Danby autorizado más cercano, ya que dicho servicio sólo puede realizarlo un técnico calificado y certificado por Danby para prestar servicios de garantía.

Los cargos por transporte desde y hacia el lugar en que se efectúe el servicio técnico no están cubiertos por esta garantía y son de responsabilidad del comprador.

Nada dentro de esta garantía implica que Danby será responsable por cualquier daño que hayan sufrido los alimentos u otros contenidos de este aparato, ya sea debido a un defecto del aparato, o su uso, adecuado o inadecuado.

### EXCLUSIONES

Salvo lo aquí indicado por Danby, no existen otras garantías, condiciones o representaciones, explícitas o implícitas, concretas o intencionales por parte de Danby o sus distribuidores autorizados y todas las demás garantías, condiciones o representaciones, incluyendo cualquier garantía, condiciones o representaciones bajo cualquier Acta de Venta de Productos o legislación o estatuto similar, quedan de esta forma expresamente excluidas. **Salvo lo aquí indicado, Danby no serán responsables por ningún daño a personas o bienes, incluyendo la propia unidad, sin importar su causa, o de ningún daño indirecto causado por el desperfecto de la unidad, y al comprar esta unidad, el comprador acepta por la presente, indemnizar y proteger a Danby contra cualquier reclamo por daños a personas o bienes causados por la unidad.**

### CONDICIONES GENERALES

No se considerará ninguna de estas garantías o seguros cuando el daño o la necesidad de reparación sea el producto de los siguientes casos:

- 1) Falla del suministro eléctrico.
- 2) Daños en tránsito o durante el transporte de la unidad.
- 3) Alimentación incorrecta, como bajo voltaje, instalación eléctrica defectuosa o fusibles inadecuados.
- 4) Accidente, modificación, abuso o uso incorrecto del artefacto, tal como insuficiente ventilación del ambiente o condiciones de operación anormales (temperatura ambiente extremadamente alta o baja).
- 5) Utilización comercial o industrial (v.g., si el electrodoméstico no está instalado en una vivienda particular).
- 6) Incendio, daños por agua, robo, guerra, disturbios, hostilidades, actos de fuerza mayor como huracanes, inundaciones, etc.
- 7) Pedidos de servicio debido a desinformación del usuario.
- 8) Instalación inadecuada (v.g., instalación empotrada de un electrodoméstico diseñado como unidad independiente o uso de un electrodoméstico al aire libre que no esté aprobado para dicho fin, incluyendo pero no limitado a: garajes, patios, porches o en cualquier lugar que no esté bien aislado o controlado por el clima).

Se requerirá una prueba de la fecha de compra para reclamaciones de garantía; Retener las facturas de venta. En el caso de que se requiera servicio de garantía, presente el comprobante de compra a nuestro depósito de servicio autorizado.

**Servicio de Garantía**  
Servicio en Domicilio

Danby Products Limited  
PO Box 1778, Guelph, Ontario, Canada N1H 6Z9  
Telephone: (519) 837-0920 FAX: (519) 837-0449

**1-844-455-6097**  
04/17

Danby Products Inc.  
PO Box 669, Findlay, Ohio, U.S.A. 45840  
Telephone: (419) 425-8627 FAX: (419) 425-8629





*Silhouette*  
PROFESSIONAL<sup>TM/MC</sup>

Model • Modèle • Modelo  
DIM32D1BSSPR